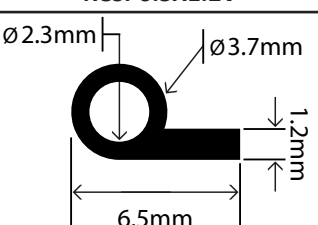
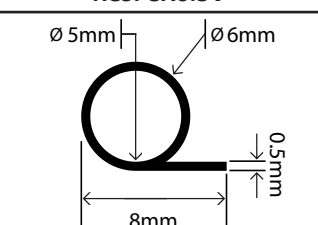
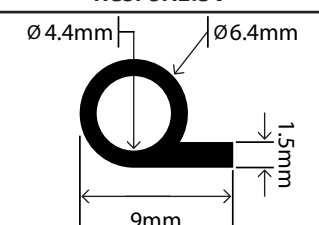
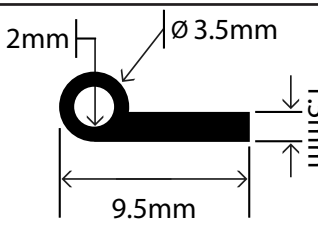


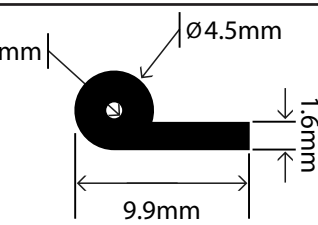
Hollow Silicone P/Bead Profiles

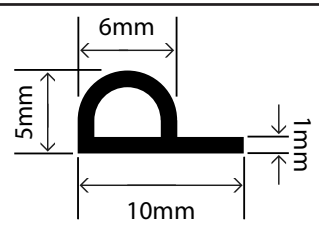
RCSP6.5X1.2V			
			
Width (mm)	Thickness (mm)	Bead O/D (mm)	Bead I/D (mm)
6.5	1.2	3.7	2.3

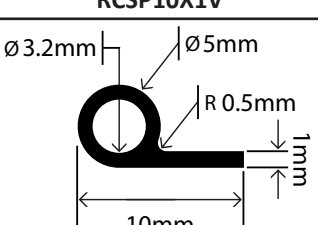
RCSP8X0.5V			
			
Width (mm)	Thickness (mm)	Bead O/D (mm)	Bead I/D (mm)
8	0.5	6	5

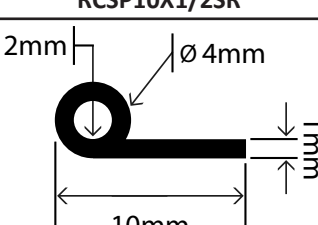
RCSP9X1.5V			
			
Width (mm)	Thickness (mm)	Bead O/D (mm)	Bead I/D (mm)
9	1.5	6.4	4.4

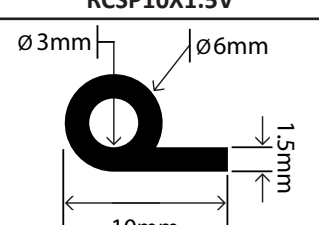
RCSP9.5X1.5SR			
			
Width (mm)	Thickness (mm)	Bead O/D (mm)	Bead I/D (mm)
9.5	1.5	3.5	2

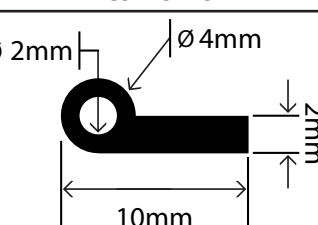
RCSP9.9X1.6V			
			
Width (mm)	Thickness (mm)	Bead O/D (mm)	Bead I/D (mm)
9.9	1.6	5.4	0.9

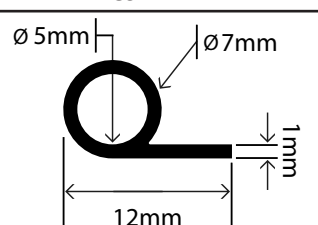
RCSP10X1SR			
			
Width (mm)	Thickness (mm)	Bead O/D (mm)	Bead I/D (mm)
10	1	6 X 5	4 x 3

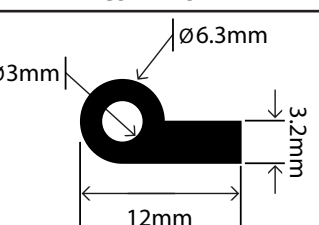
RCSP10X1V			
			
Width (mm)	Thickness (mm)	Bead O/D (mm)	Bead I/D (mm)
10	1	5	3.2

RCSP10X1/2SR			
			
Width (mm)	Thickness (mm)	Bead O/D (mm)	Bead I/D (mm)
10	1	4	2

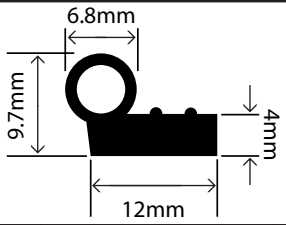
RCSP10X1.5V			
			
Width (mm)	Thickness (mm)	Bead O/D (mm)	Bead I/D (mm)
10	1.5	6	3

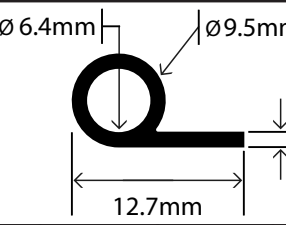
RCSP10X2SR			
			
Width (mm)	Thickness (mm)	Bead O/D (mm)	Bead I/D (mm)
10	2	4	2

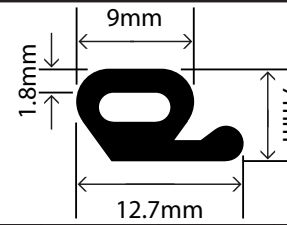
RCSP12X1V			
			
Width (mm)	Thickness (mm)	Bead O/D (mm)	Bead I/D (mm)
12	1	7	5

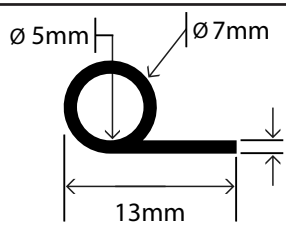
RCSP12X3.2V			
			
Width (mm)	Thickness (mm)	Bead O/D (mm)	Bead I/D (mm)
12	3.2	6.3	3

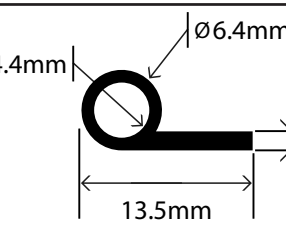
Hollow Silicone P/Bead Profiles

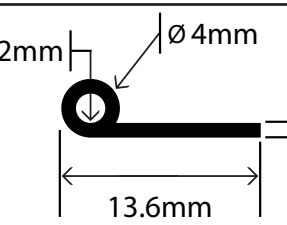
RCSP12X9.7SR			
			
Width (mm)	Thickness (mm)	Bead O/D (mm)	Bead I/D (mm)
12	4	6.8	-

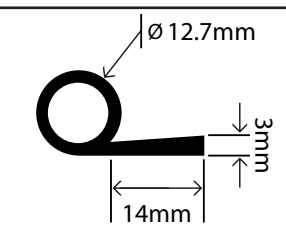
RCSP12.7X1.6V			
			
Width (mm)	Thickness (mm)	Bead O/D (mm)	Bead I/D (mm)
12.7	1.6	9.5	6.4

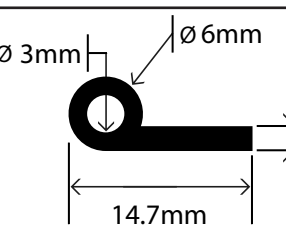
RCSP12.7X7SR			
			
Width (mm)	Thickness (mm)	Bead O/D (mm)	Bead I/D (mm)
12.7	7	9	-

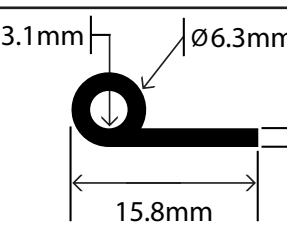
RCSP13X1V			
			
Width (mm)	Thickness (mm)	Bead O/D (mm)	Bead I/D (mm)
13	1	7	5

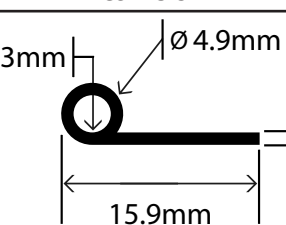
RCSP13.5X1.5V			
			
Width (mm)	Thickness (mm)	Bead O/D (mm)	Bead I/D (mm)
13.5	1.5	6.4	4.4

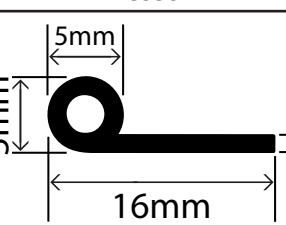
RCSP13.6X1V			
			
Width (mm)	Thickness (mm)	Bead O/D (mm)	Bead I/D (mm)
13.6	1	4	2

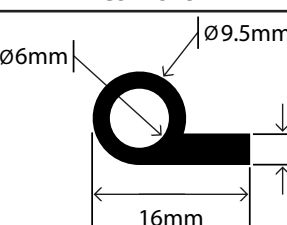
RCSP14X3SR			
			
Width (mm)	Thickness (mm)	Bead O/D (mm)	Bead I/D (mm)
14	3	12.7	-

RCSP14.7X2V			
			
Width (mm)	Thickness (mm)	Bead O/D (mm)	Bead I/D (mm)
14.7	2	6	3

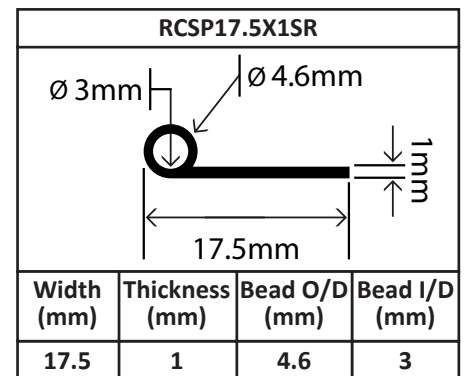
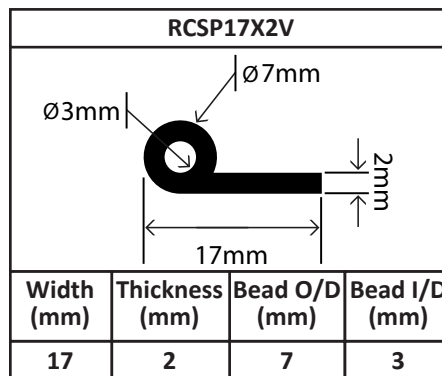
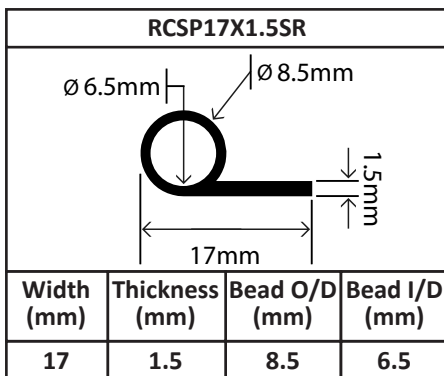
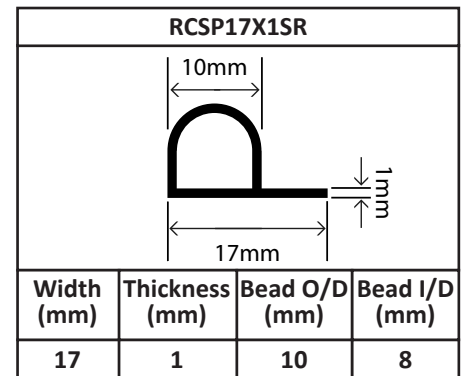
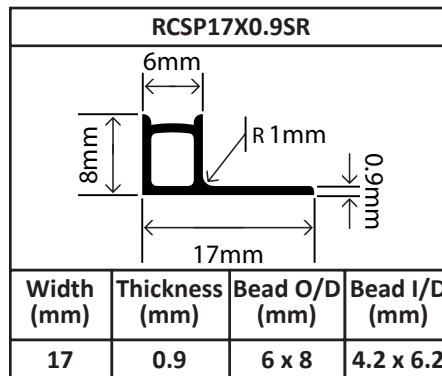
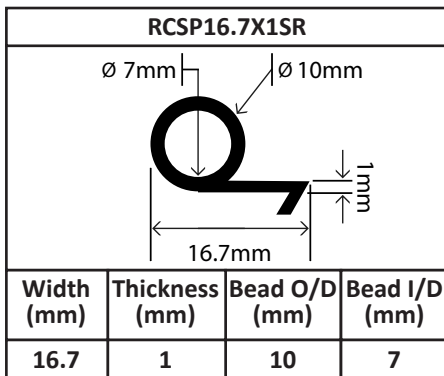
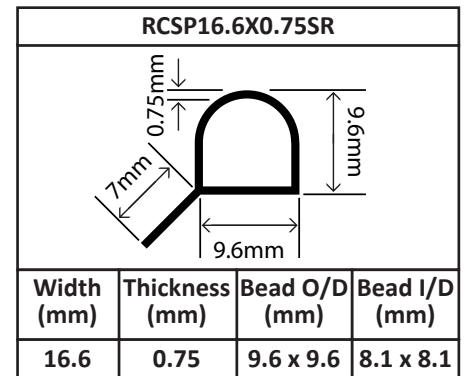
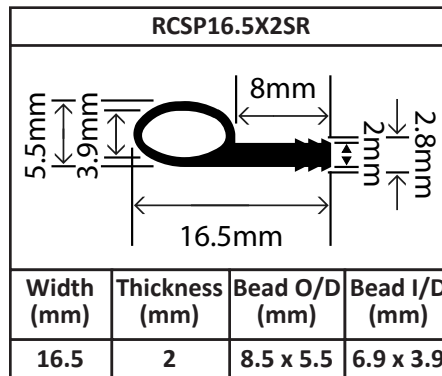
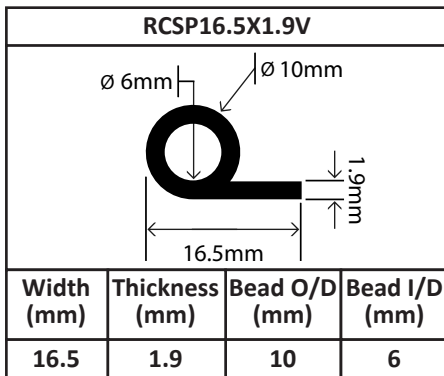
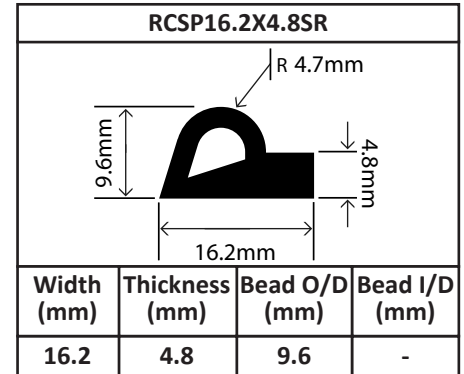
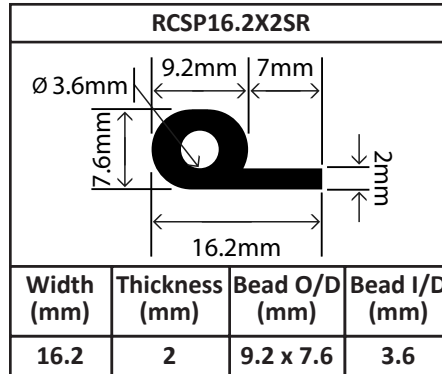
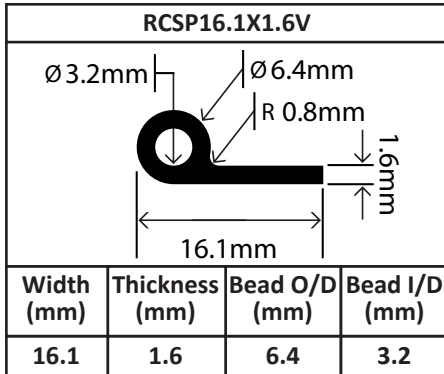
RCSP15.8X1.6V			
			
Width (mm)	Thickness (mm)	Bead O/D (mm)	Bead I/D (mm)
15.8	1.6	6.3	3.1

RCSP15.9X1V			
			
Width (mm)	Thickness (mm)	Bead O/D (mm)	Bead I/D (mm)
15.9	1	4.9	3

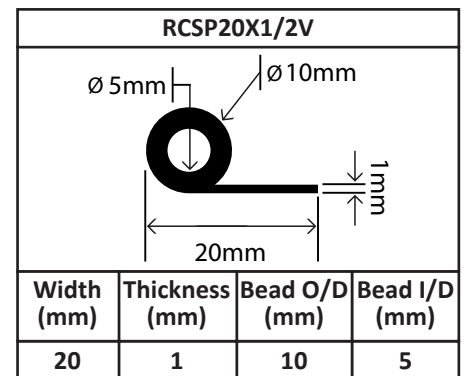
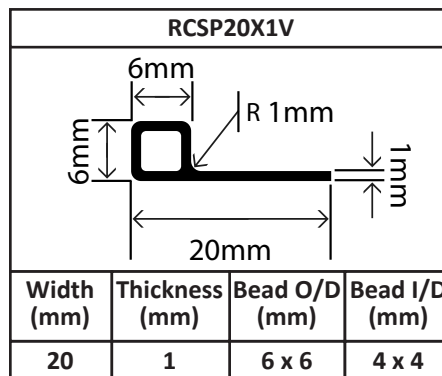
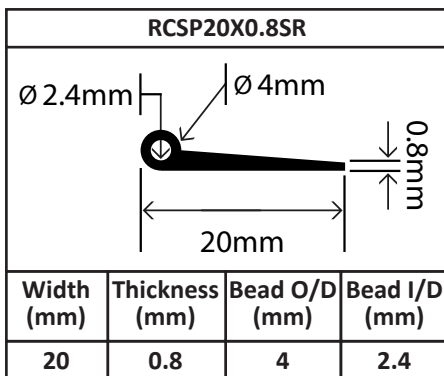
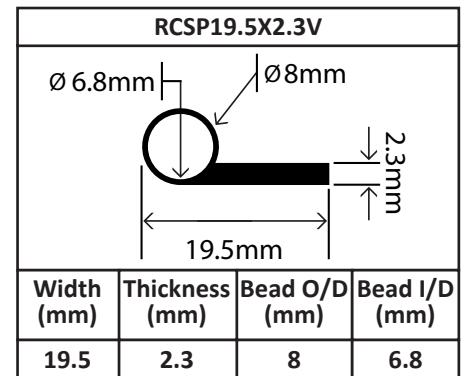
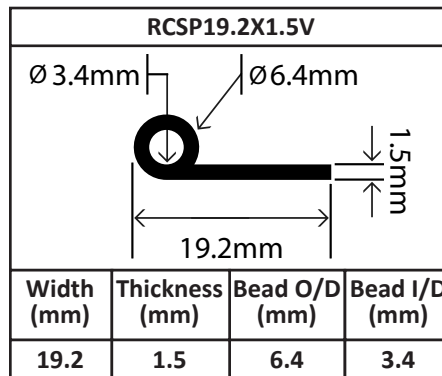
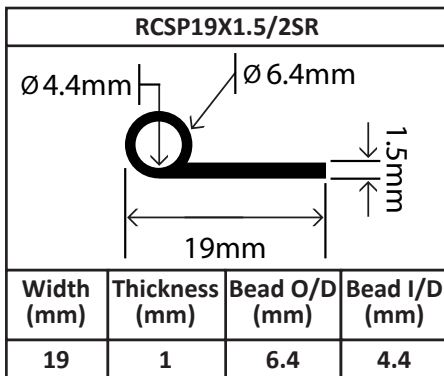
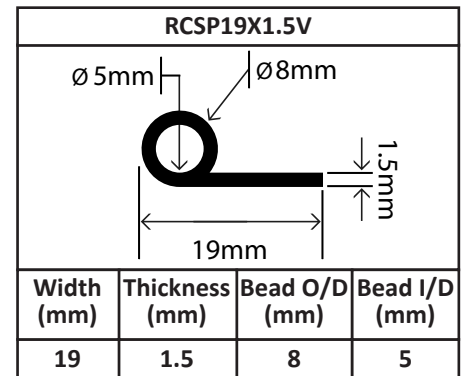
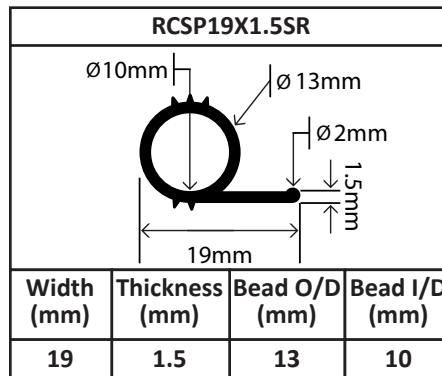
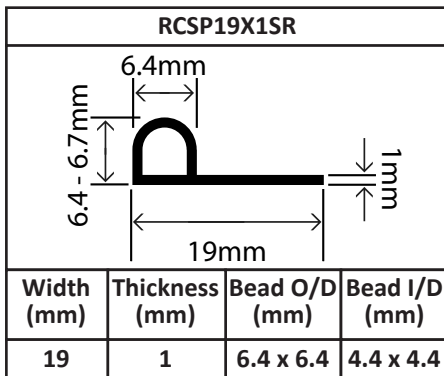
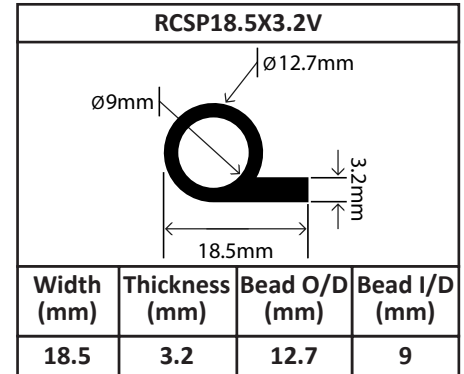
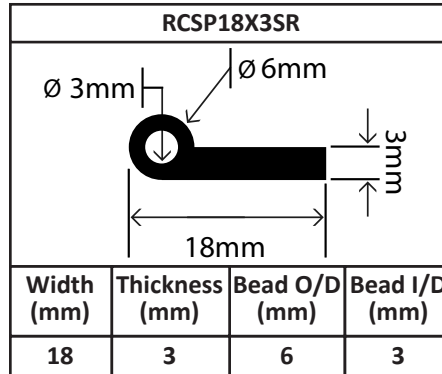
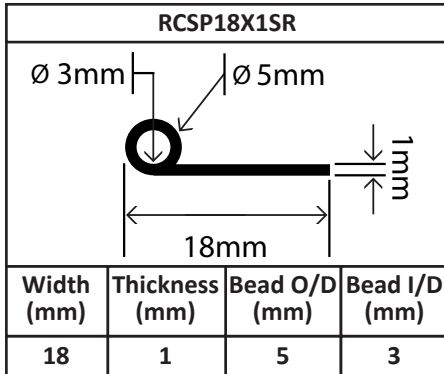
RC03012			
			
Width (mm)	Thickness (mm)	Bead O/D (mm)	Bead I/D (mm)
16	1	5	3

RCSP16X3.2V			
			
Width (mm)	Thickness (mm)	Bead O/D (mm)	Bead I/D (mm)
16	3.2	9.5	6

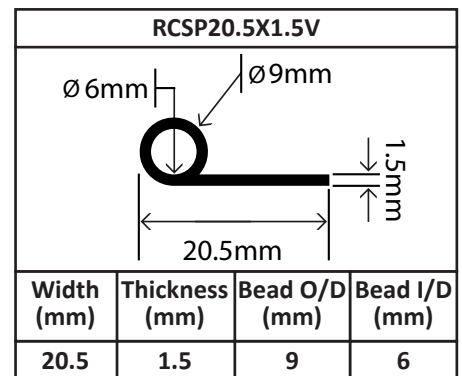
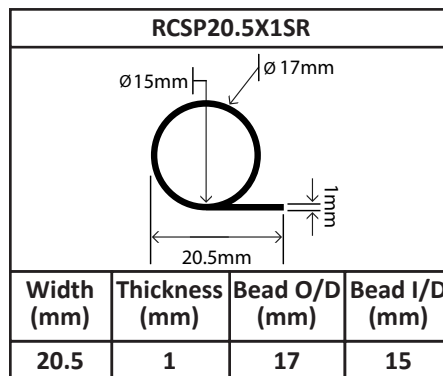
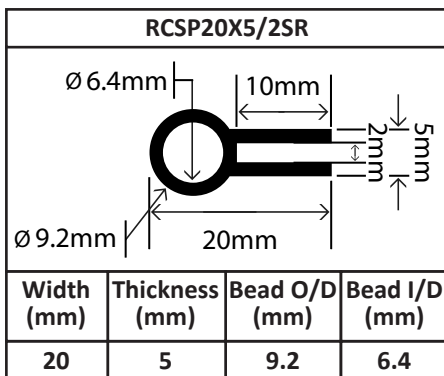
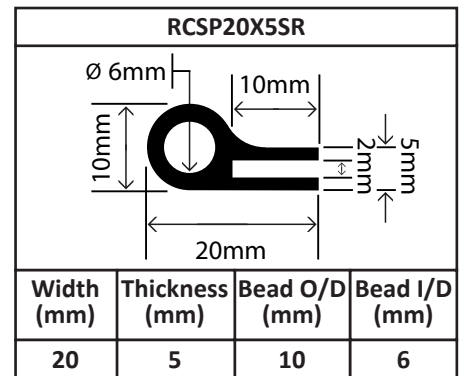
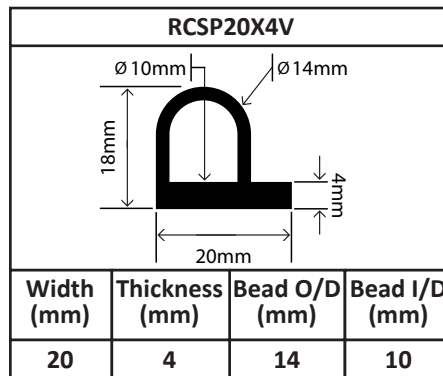
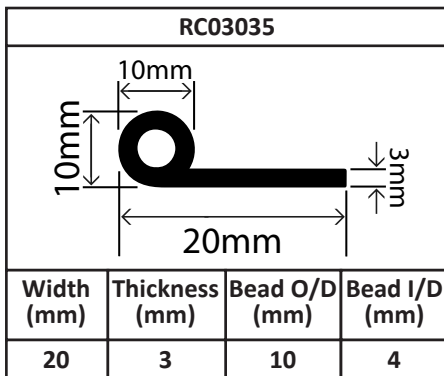
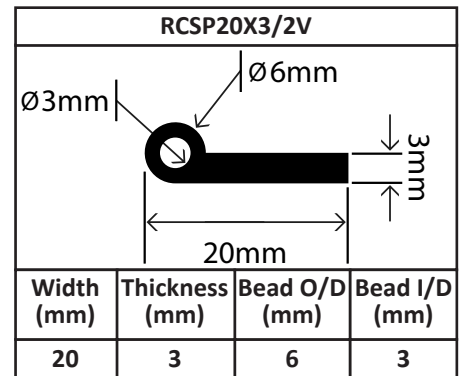
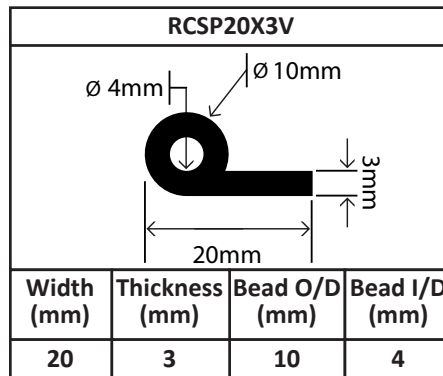
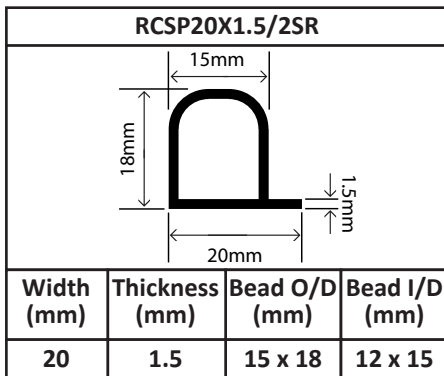
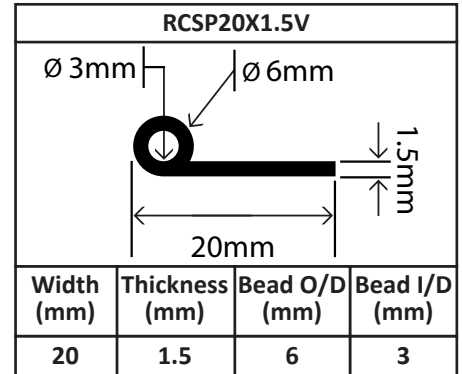
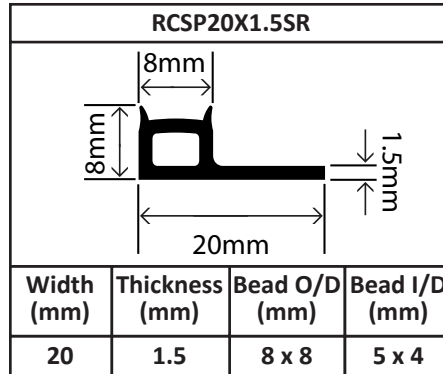
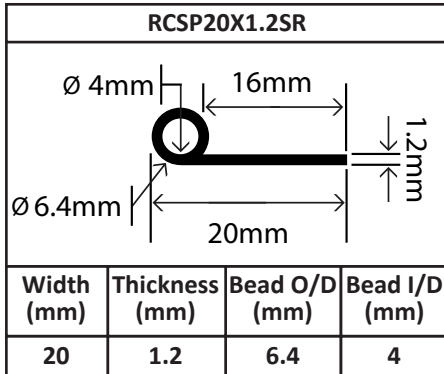
Hollow Silicone P/Bead Profiles



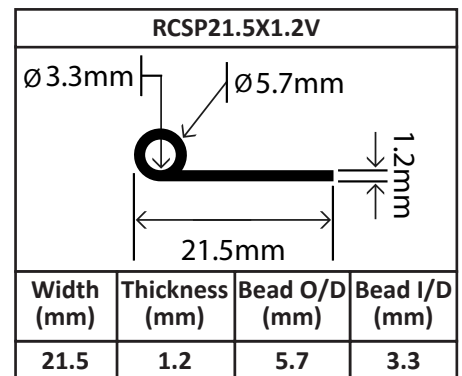
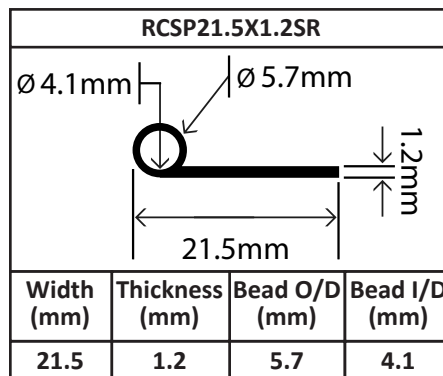
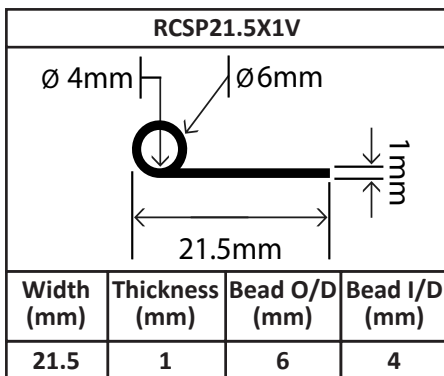
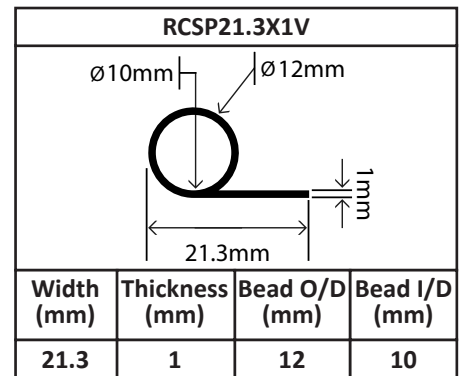
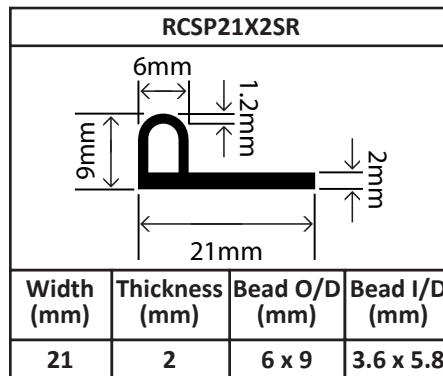
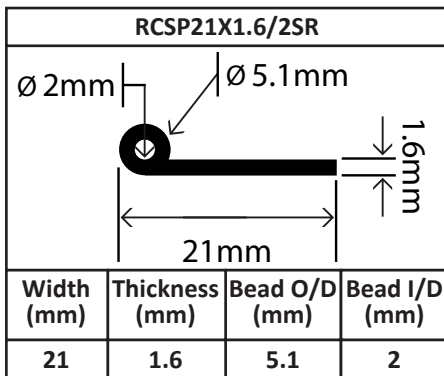
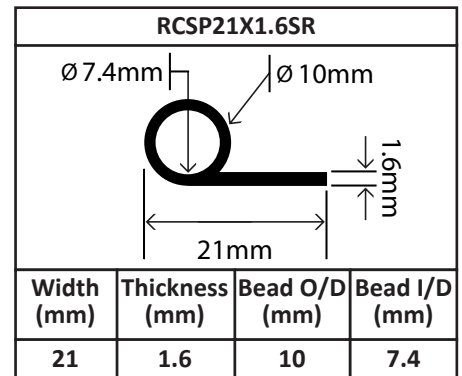
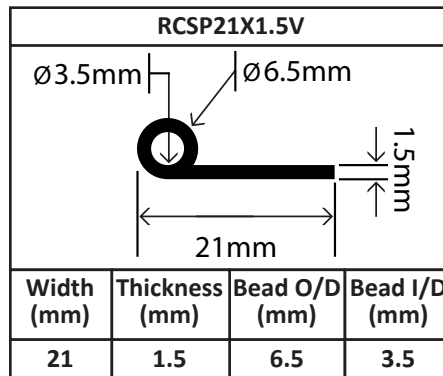
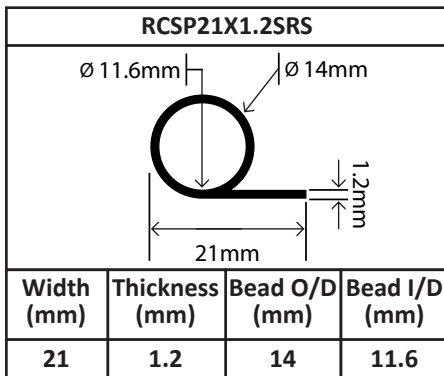
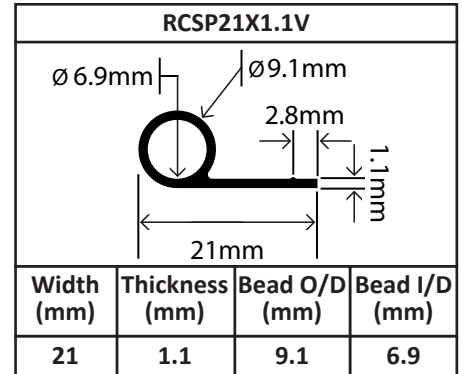
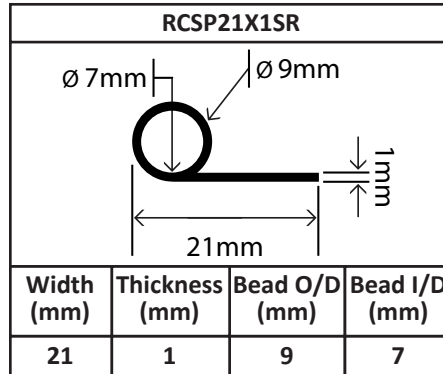
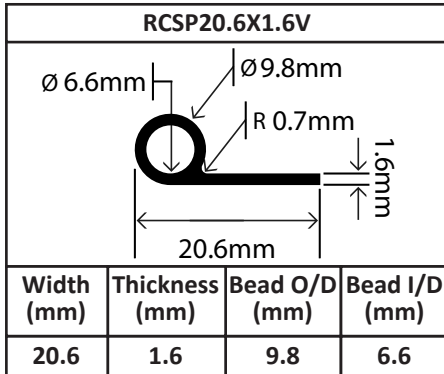
Hollow Silicone P/Bead Profiles



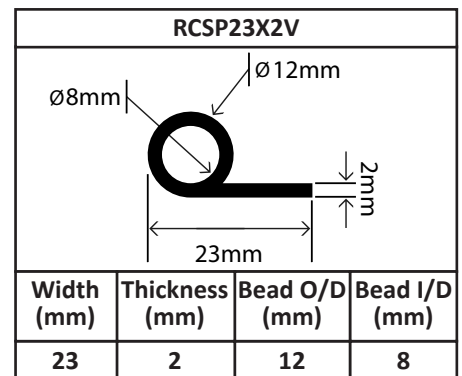
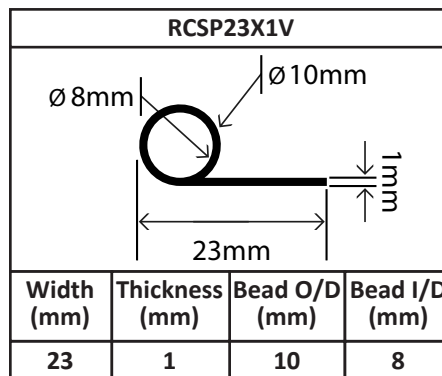
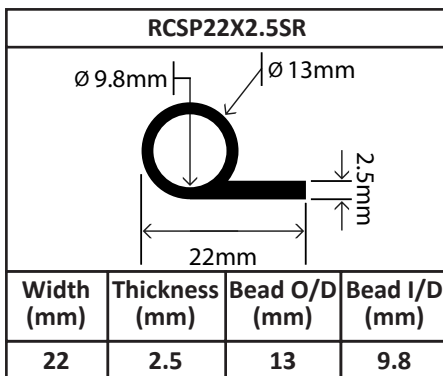
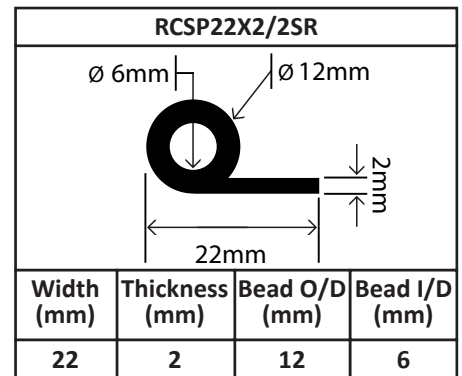
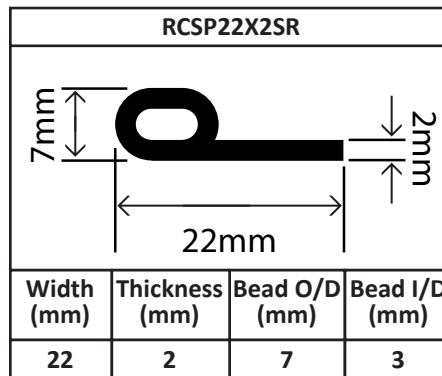
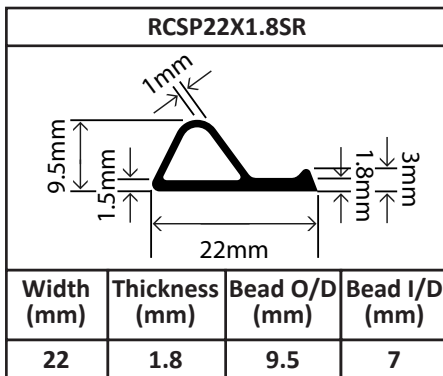
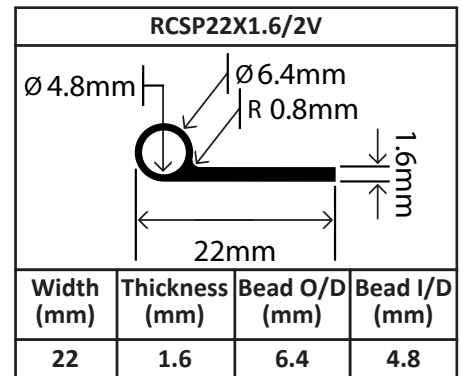
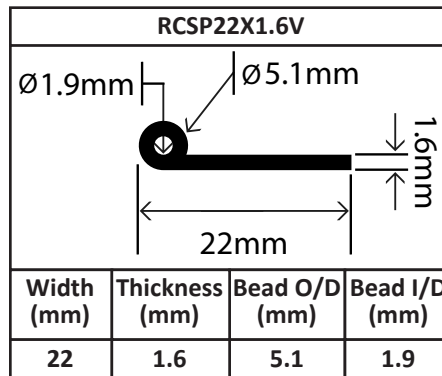
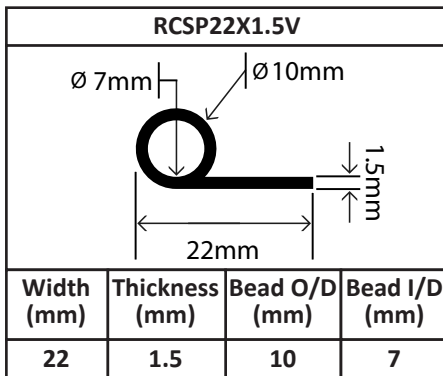
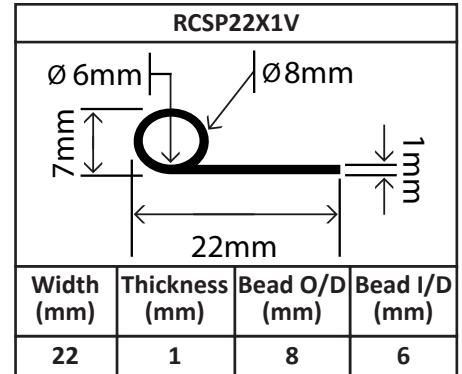
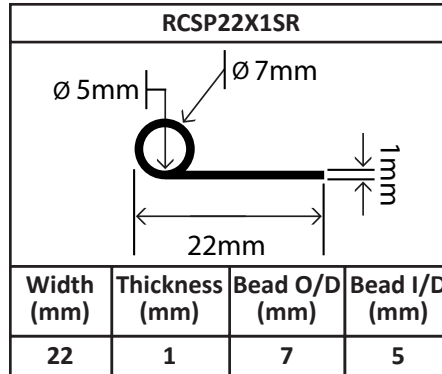
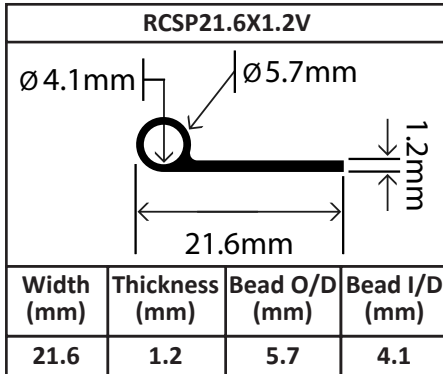
Hollow Silicone P/Bead Profiles



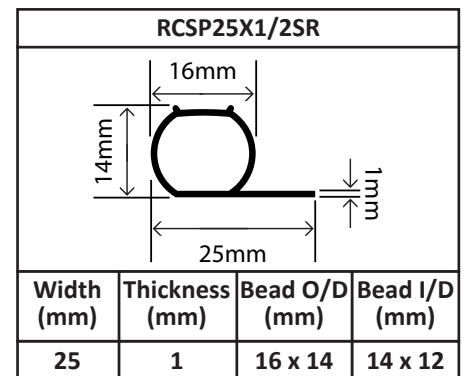
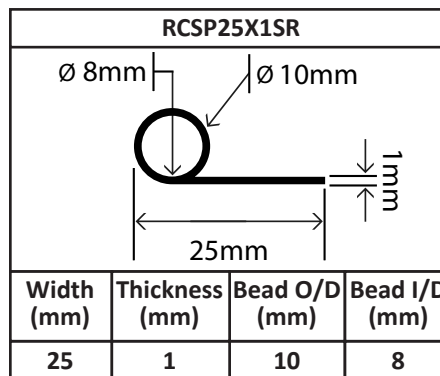
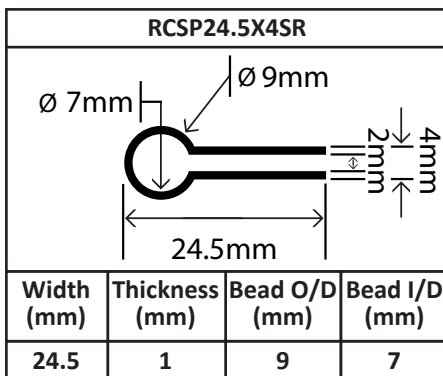
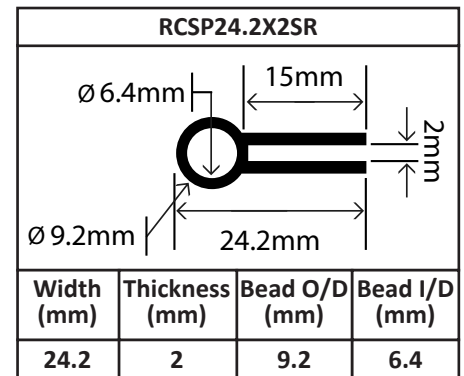
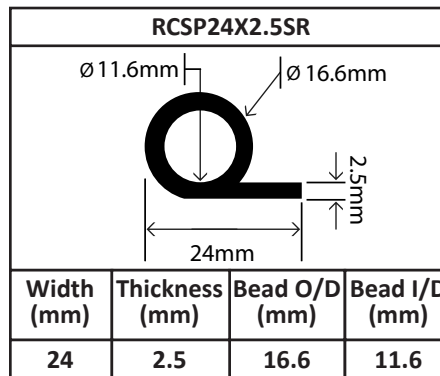
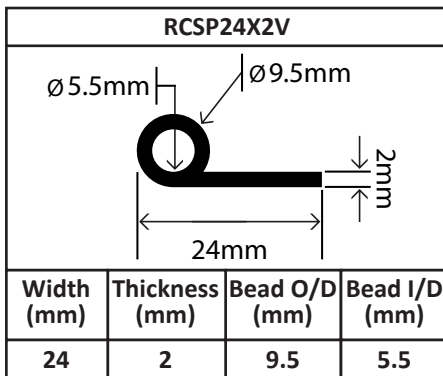
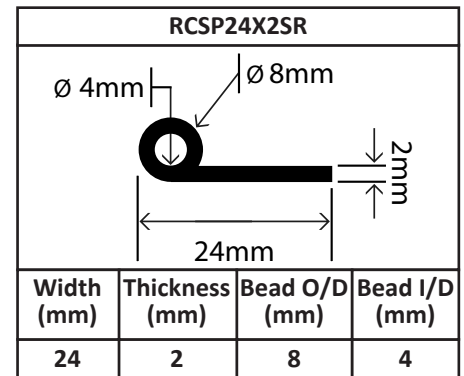
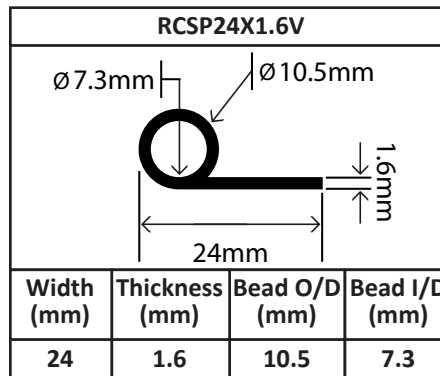
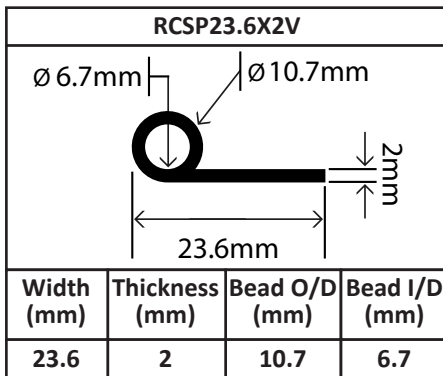
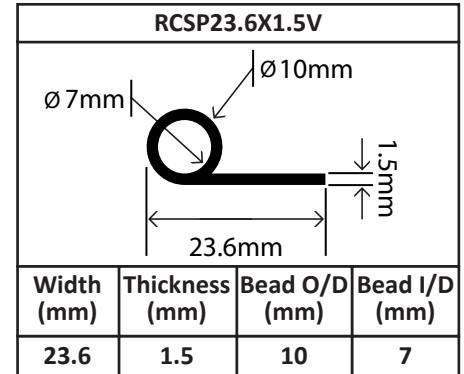
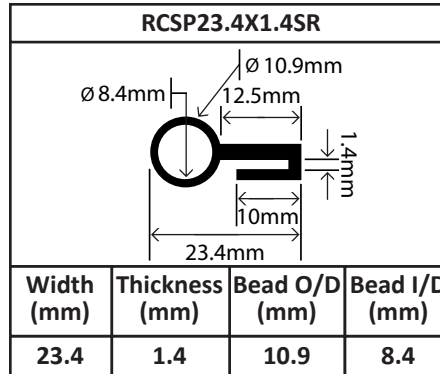
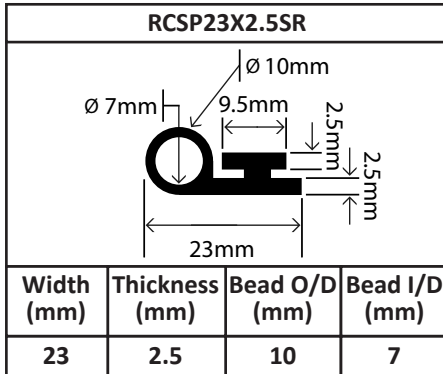
Hollow Silicone P/Bead Profiles



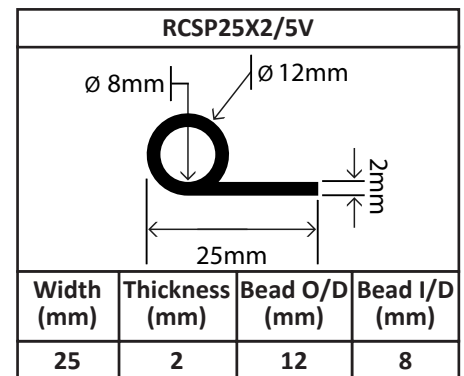
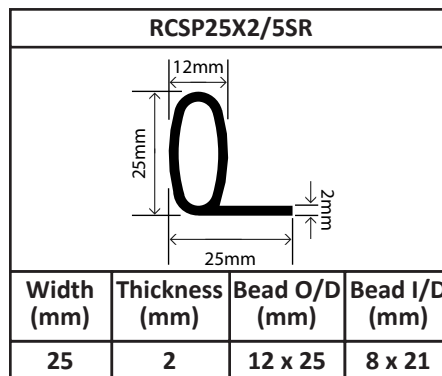
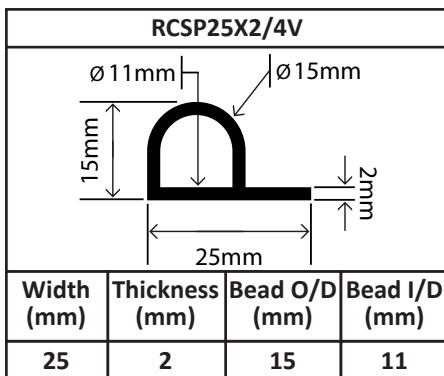
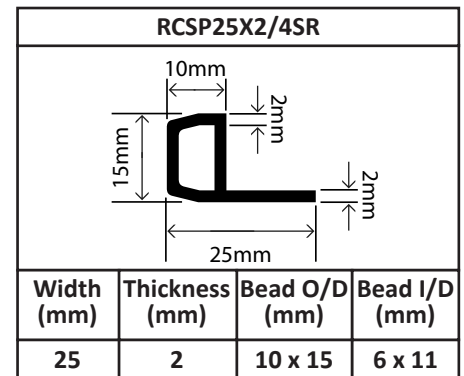
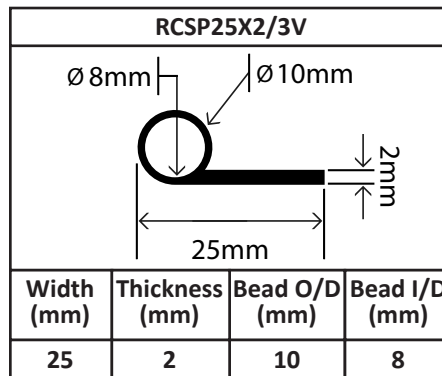
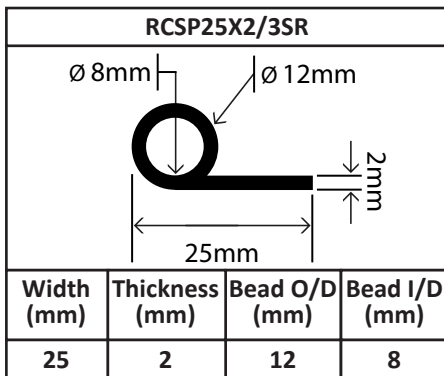
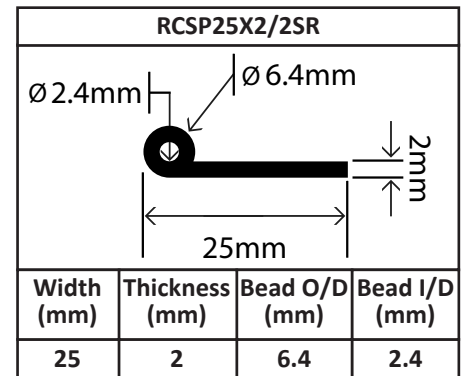
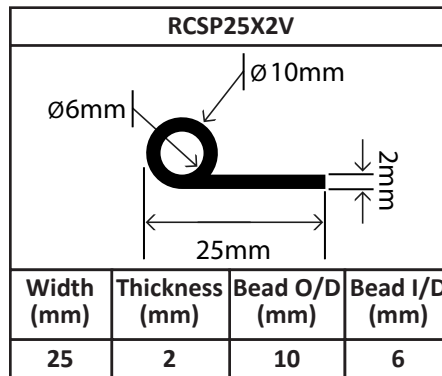
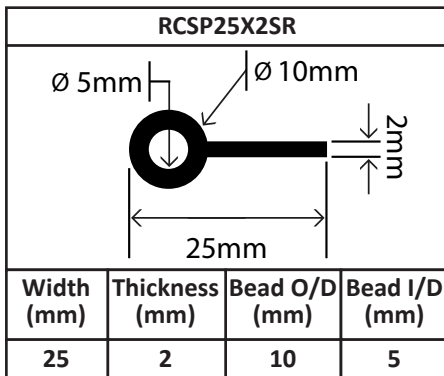
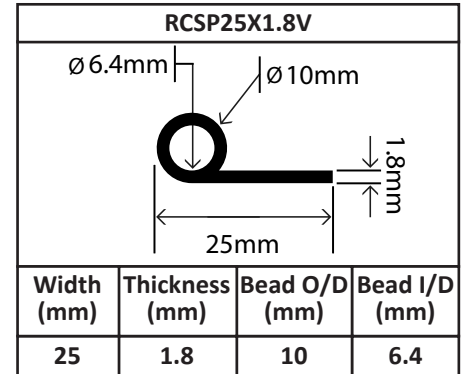
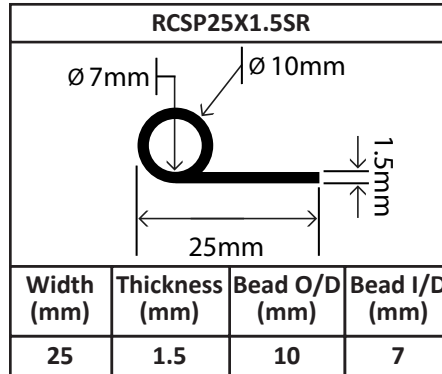
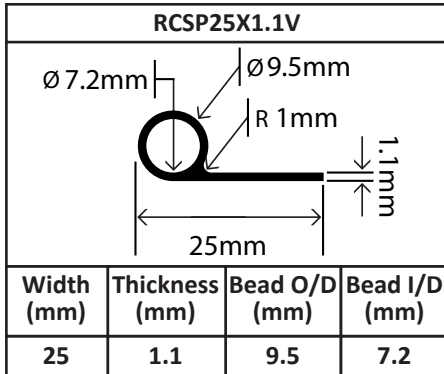
Hollow Silicone P/Bead Profiles



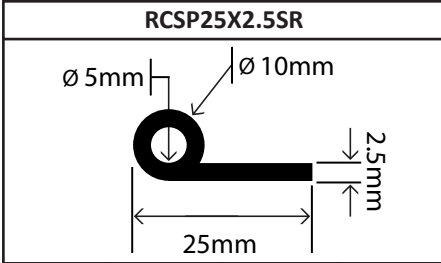
Hollow Silicone P/Bead Profiles

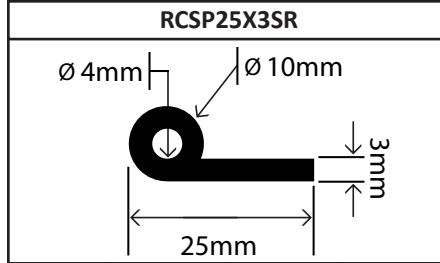


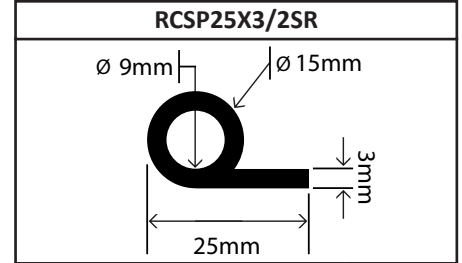
Hollow Silicone P/Bead Profiles

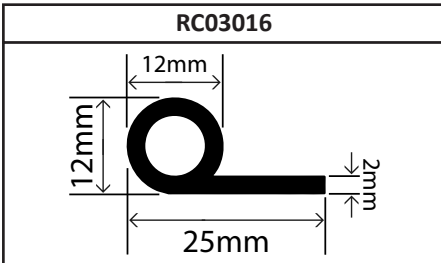


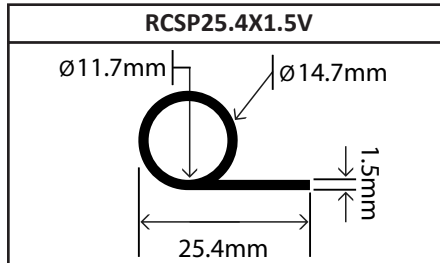
Hollow Silicone P/Bead Profiles

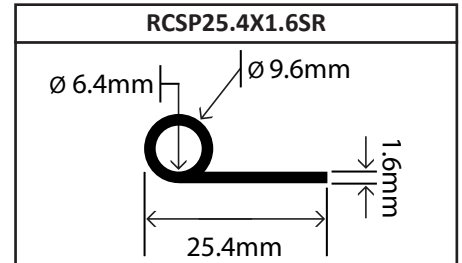
RCSP25X2.5SR			
			
Width (mm)	Thickness (mm)	Bead O/D (mm)	Bead I/D (mm)
25	2.5	10	5

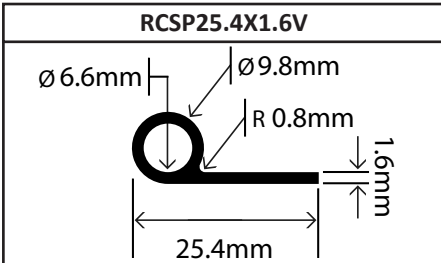
RCSP25X3SR			
			
Width (mm)	Thickness (mm)	Bead O/D (mm)	Bead I/D (mm)
25	3	10	4

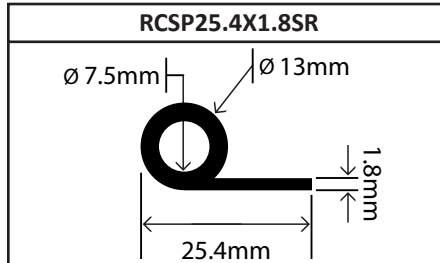
RCSP25X3/2SR			
			
Width (mm)	Thickness (mm)	Bead O/D (mm)	Bead I/D (mm)
25	3	15	9

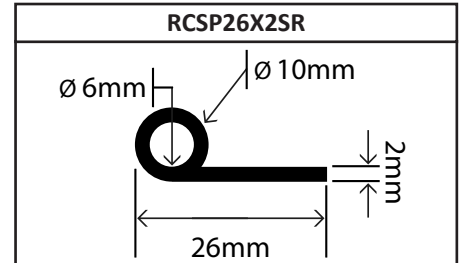
RC03016			
			
Width (mm)	Thickness (mm)	Bead O/D (mm)	Bead I/D (mm)
25	2	12	8

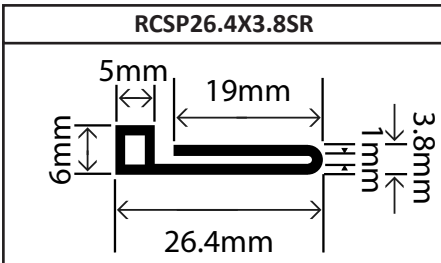
RCSP25.4X1.5V			
			
Width (mm)	Thickness (mm)	Bead O/D (mm)	Bead I/D (mm)
25.4	1.5	14.7	11.7

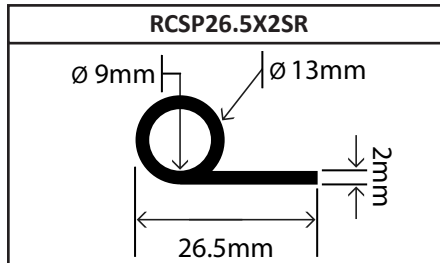
RCSP25.4X1.6SR			
			
Width (mm)	Thickness (mm)	Bead O/D (mm)	Bead I/D (mm)
25.4	1.6	9.6	6.4

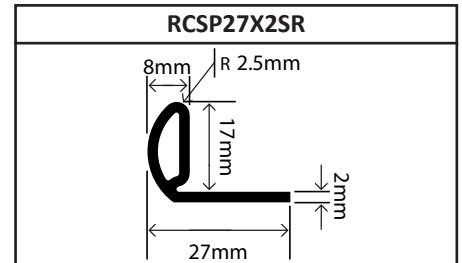
RCSP25.4X1.6V			
			
Width (mm)	Thickness (mm)	Bead O/D (mm)	Bead I/D (mm)
25.4	1.6	9.8	6.6

RCSP25.4X1.8SR			
			
Width (mm)	Thickness (mm)	Bead O/D (mm)	Bead I/D (mm)
25.4	1.8	13	7.5

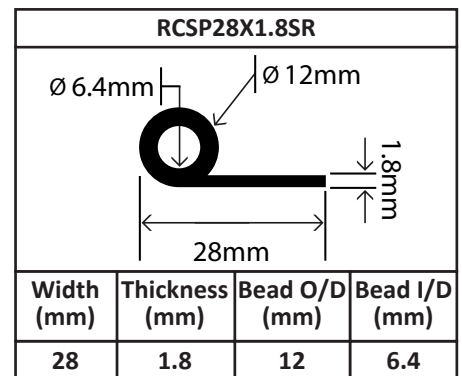
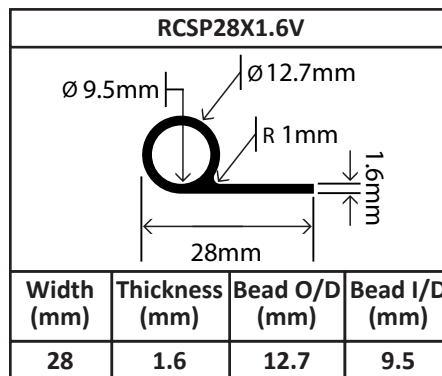
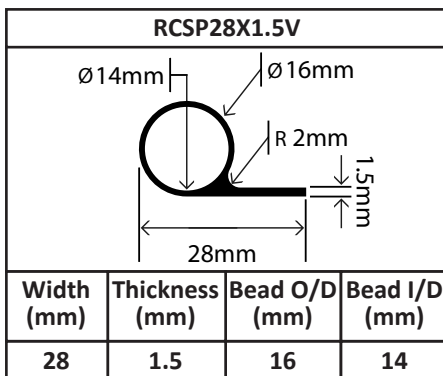
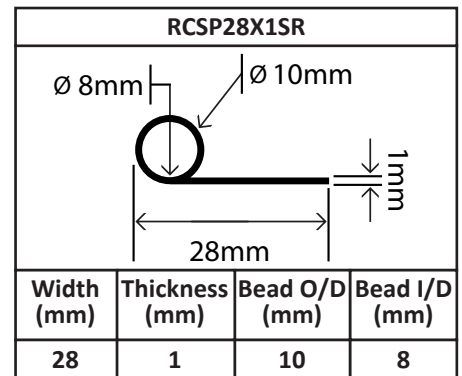
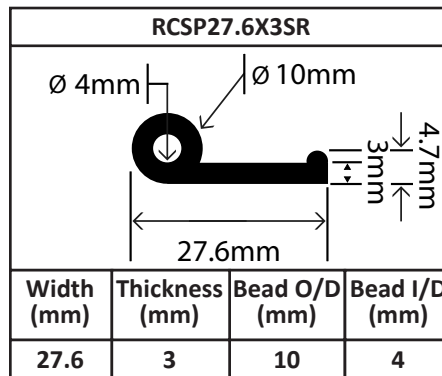
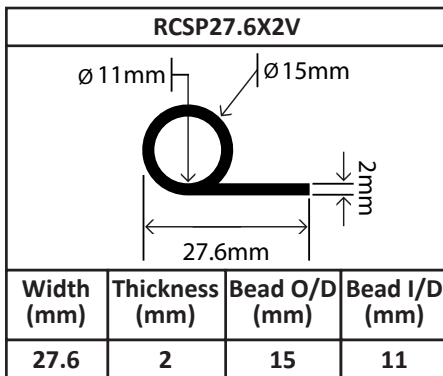
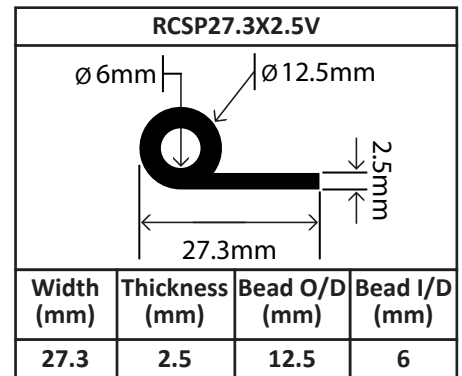
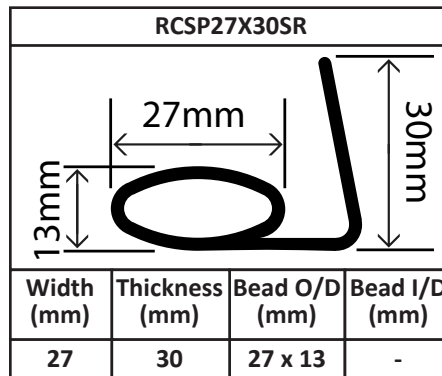
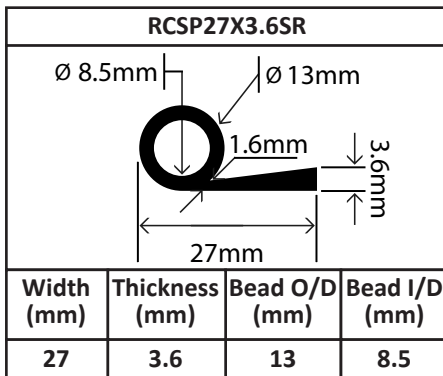
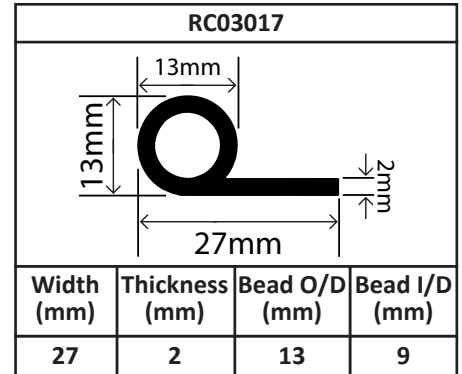
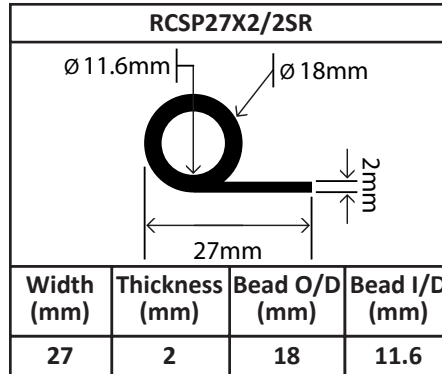
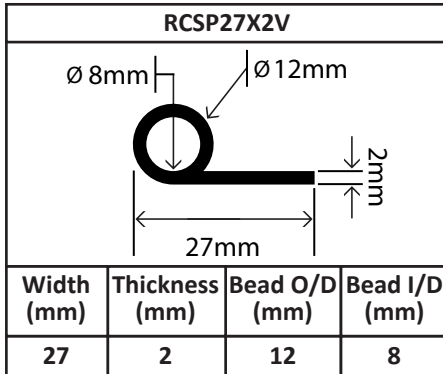
RCSP26X2SR			
			
Width (mm)	Thickness (mm)	Bead O/D (mm)	Bead I/D (mm)
26	2	10	6

RCSP26.4X3.8SR			
			
Width (mm)	Thickness (mm)	Bead O/D (mm)	Bead I/D (mm)
26.4	3.8	5 x 6	-

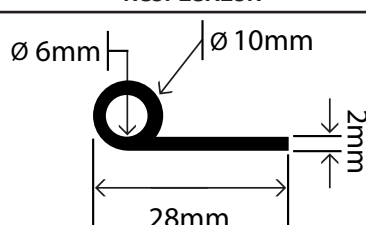
RCSP26.5X2SR			
			
Width (mm)	Thickness (mm)	Bead O/D (mm)	Bead I/D (mm)
26.5	2	13	9

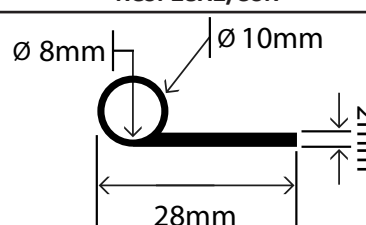
RCSP27X2SR			
			
Width (mm)	Thickness (mm)	Bead O/D (mm)	Bead I/D (mm)
27	2	8 x 17	4 x 13

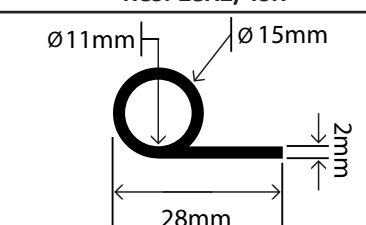
Hollow Silicone P/Bead Profiles

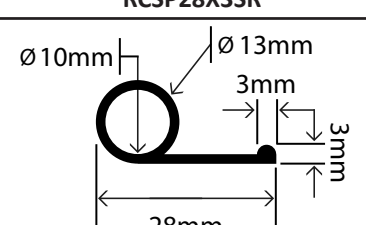


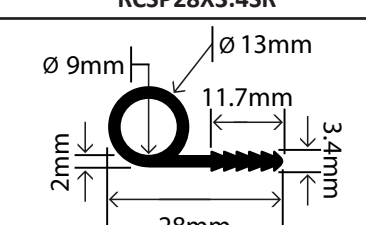
Hollow Silicone P/Bead Profiles

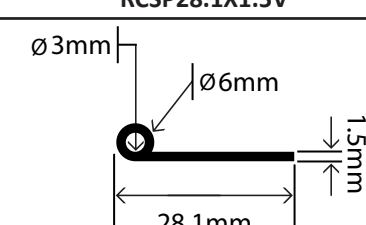
RCSP28X2SR			
			
Width (mm)	Thickness (mm)	Bead O/D (mm)	Bead I/D (mm)
28	2	10	6

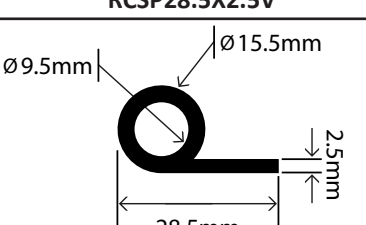
RCSP28X2/3SR			
			
Width (mm)	Thickness (mm)	Bead O/D (mm)	Bead I/D (mm)
28	2	10	8

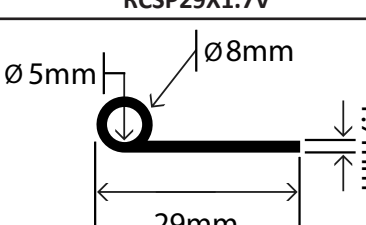
RCSP28X2/4SR			
			
Width (mm)	Thickness (mm)	Bead O/D (mm)	Bead I/D (mm)
28	2	15	11

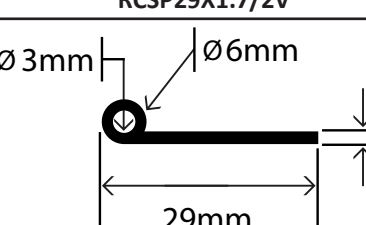
RCSP28X3SR			
			
Width (mm)	Thickness (mm)	Bead O/D (mm)	Bead I/D (mm)
28	3	13	10

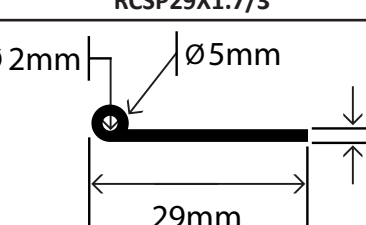
RCSP28X3.4SR			
			
Width (mm)	Thickness (mm)	Bead O/D (mm)	Bead I/D (mm)
28	3.4	13	9

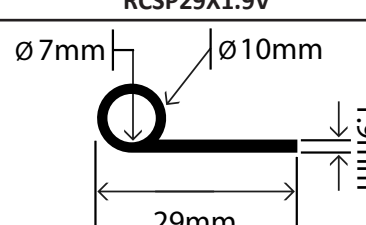
RCSP28.1X1.5V			
			
Width (mm)	Thickness (mm)	Bead O/D (mm)	Bead I/D (mm)
28.1	1.5	6	3

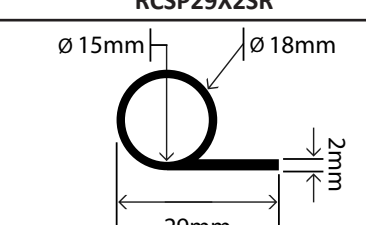
RCSP28.5X2.5V			
			
Width (mm)	Thickness (mm)	Bead O/D (mm)	Bead I/D (mm)
28.5	2.5	15.5	9.5

RCSP29X1.7V			
			
Width (mm)	Thickness (mm)	Bead O/D (mm)	Bead I/D (mm)
29	1.7	8	5

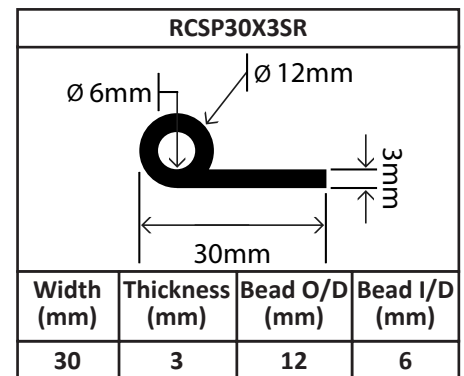
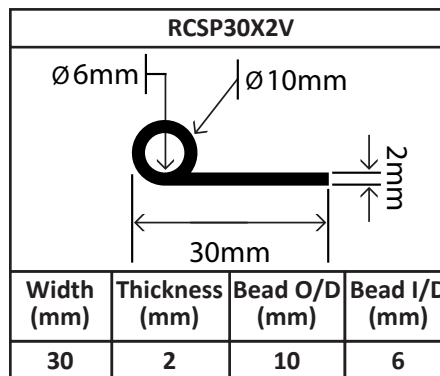
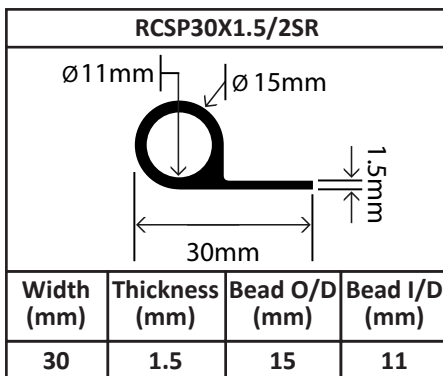
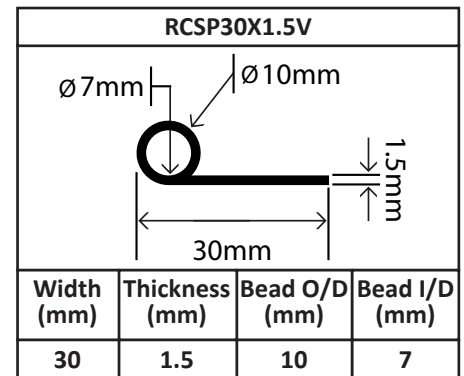
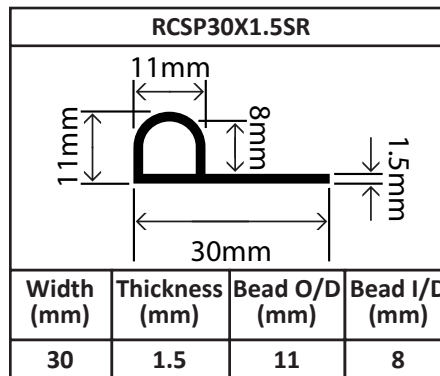
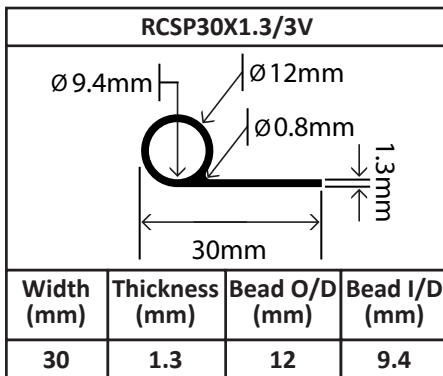
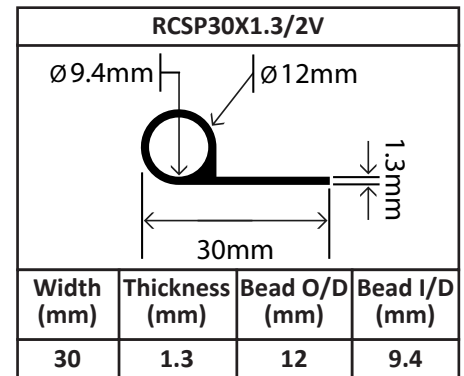
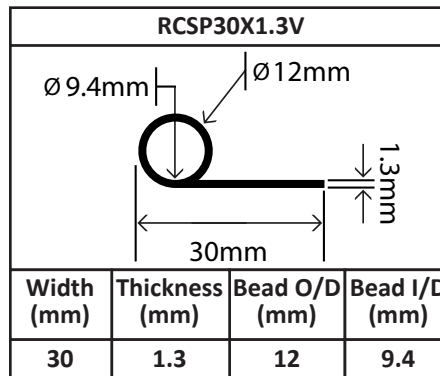
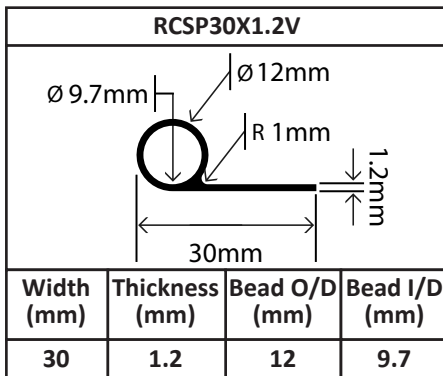
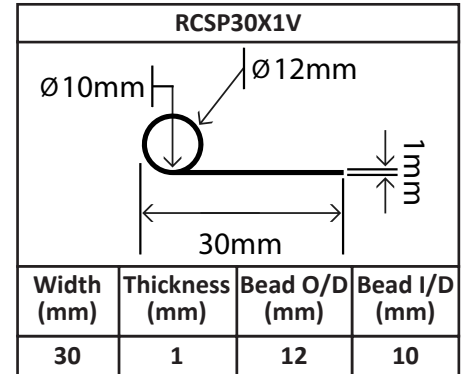
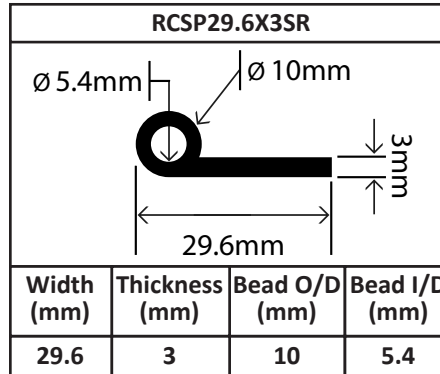
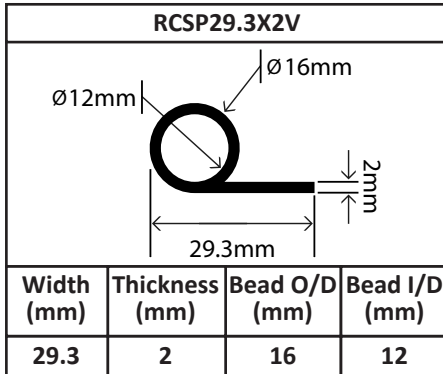
RCSP29X1.7/2V			
			
Width (mm)	Thickness (mm)	Bead O/D (mm)	Bead I/D (mm)
29	1.7	6	3

RCSP29X1.7/3			
			
Width (mm)	Thickness (mm)	Bead O/D (mm)	Bead I/D (mm)
29	1.7	5	2

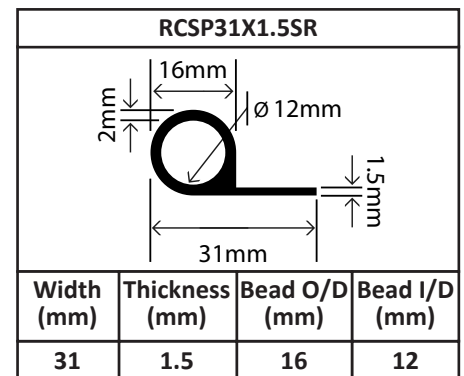
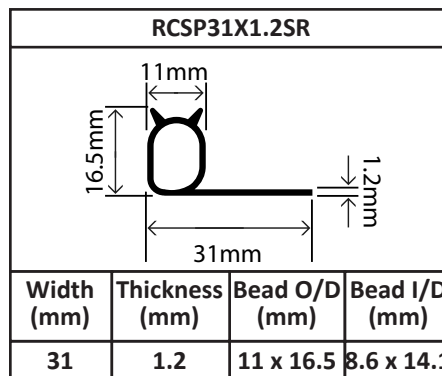
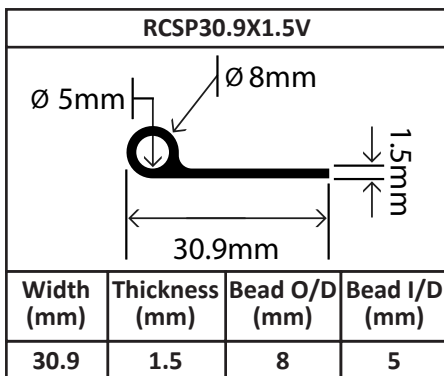
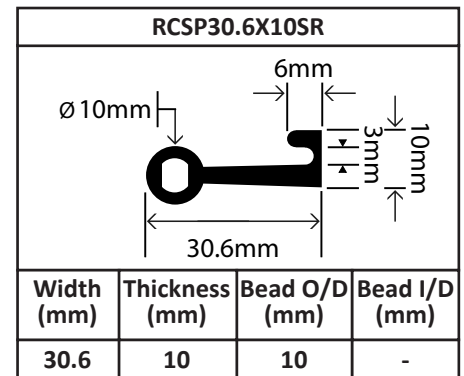
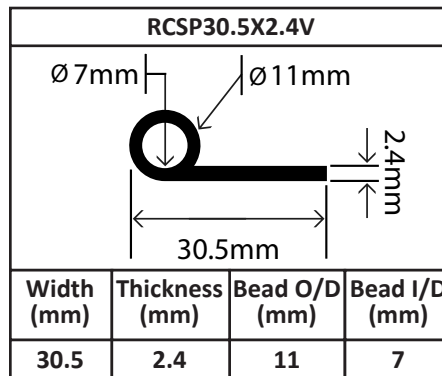
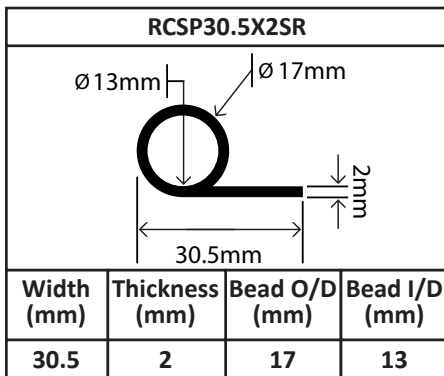
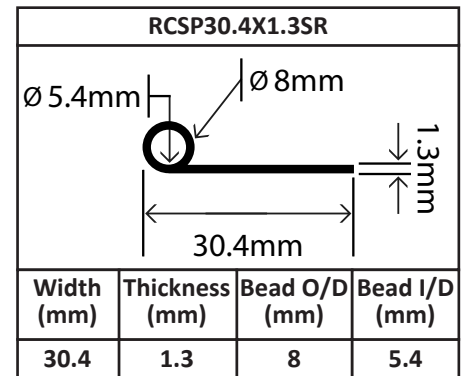
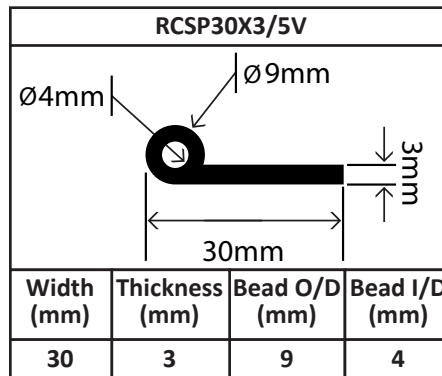
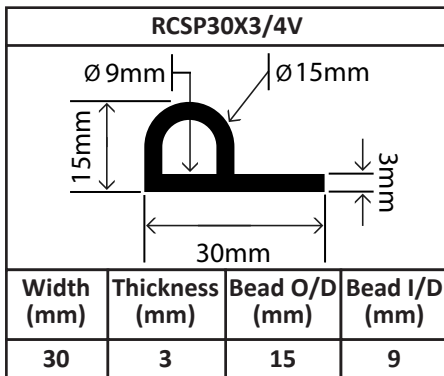
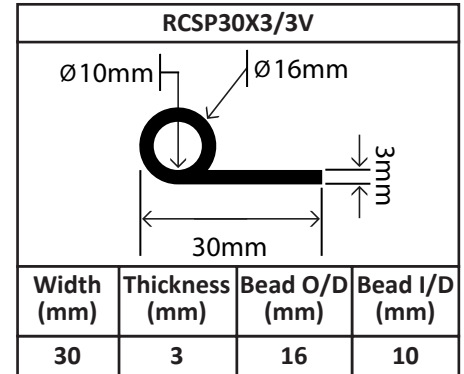
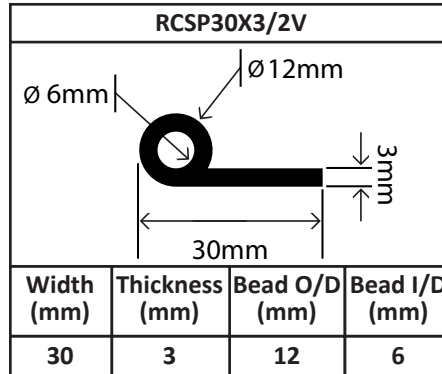
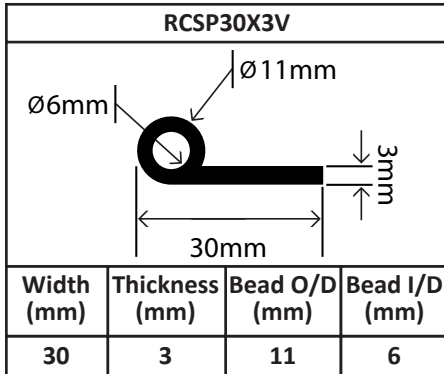
RCSP29X1.9V			
			
Width (mm)	Thickness (mm)	Bead O/D (mm)	Bead I/D (mm)
29	1.9	10	7

RCSP29X2SR			
			
Width (mm)	Thickness (mm)	Bead O/D (mm)	Bead I/D (mm)
29	2	18	15

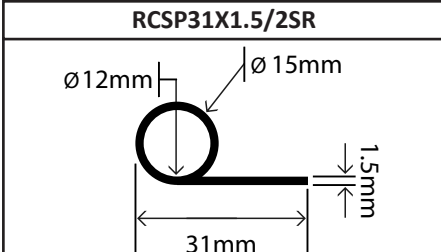
Hollow Silicone P/Bead Profiles

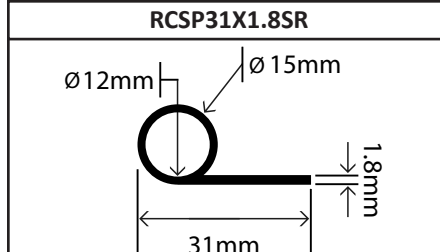


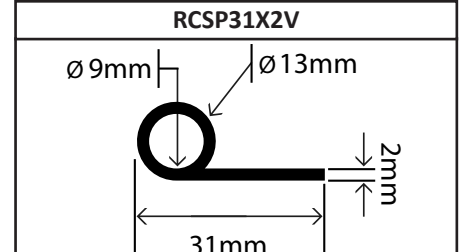
Hollow Silicone P/Bead Profiles

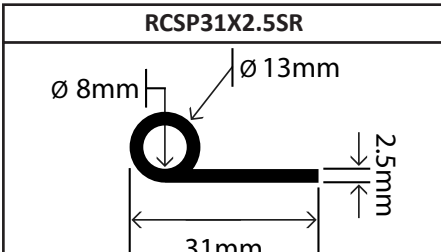


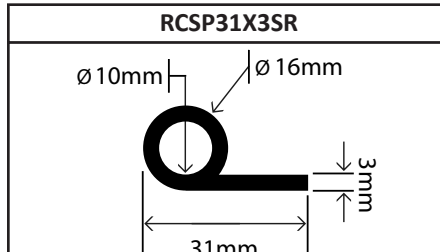
Hollow Silicone P/Bead Profiles

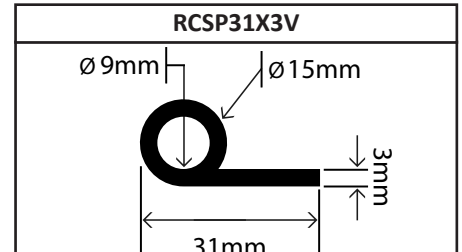
RCSP31X1.5/2SR			
			
Width (mm)	Thickness (mm)	Bead O/D (mm)	Bead I/D (mm)
31	1.5	15	12

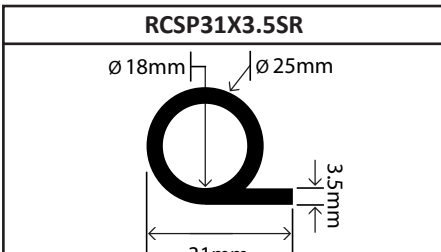
RCSP31X1.8SR			
			
Width (mm)	Thickness (mm)	Bead O/D (mm)	Bead I/D (mm)
31	1.8	15	12

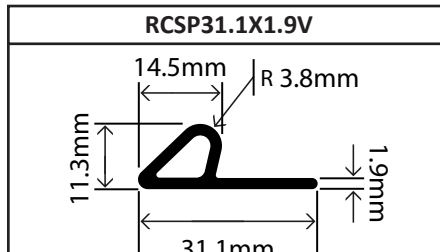
RCSP31X2V			
			
Width (mm)	Thickness (mm)	Bead O/D (mm)	Bead I/D (mm)
31	2	13	9

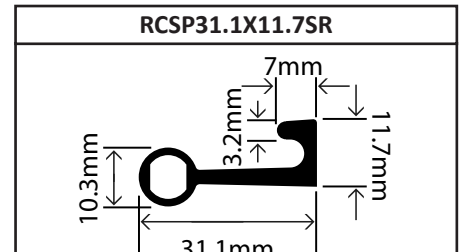
RCSP31X2.5SR			
			
Width (mm)	Thickness (mm)	Bead O/D (mm)	Bead I/D (mm)
31	2.5	13	8

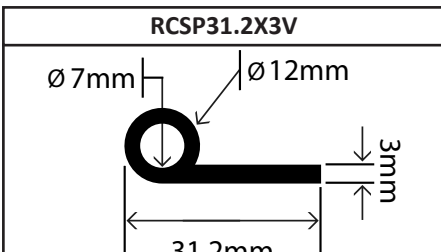
RCSP31X3SR			
			
Width (mm)	Thickness (mm)	Bead O/D (mm)	Bead I/D (mm)
31	3	16	10

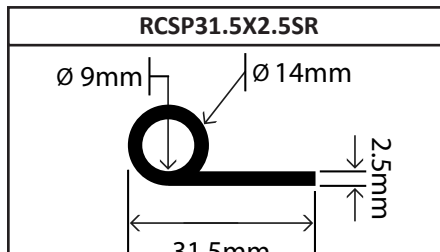
RCSP31X3V			
			
Width (mm)	Thickness (mm)	Bead O/D (mm)	Bead I/D (mm)
31	3	15	9

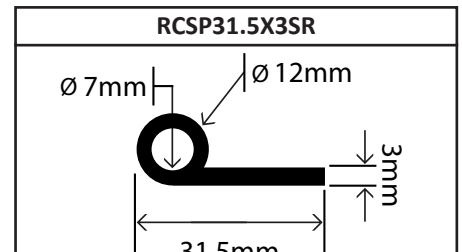
RCSP31X3.5SR			
			
Width (mm)	Thickness (mm)	Bead O/D (mm)	Bead I/D (mm)
31	3.5	25	18

RCSP31.1X1.9V			
			
Width (mm)	Thickness (mm)	Bead O/D (mm)	Bead I/D (mm)
31.1	1.9	14.5x11.3	10.7x7.5

RCSP31.1X11.7SR			
			
Width (mm)	Thickness (mm)	Bead O/D (mm)	Bead I/D (mm)
31.1	11.7	10.3	-

RCSP31.2X3V			
			
Width (mm)	Thickness (mm)	Bead O/D (mm)	Bead I/D (mm)
31.2	3	12	7

RCSP31.5X2.5SR			
			
Width (mm)	Thickness (mm)	Bead O/D (mm)	Bead I/D (mm)
31.5	2.5	14	9

RCSP31.5X3SR			
			
Width (mm)	Thickness (mm)	Bead O/D (mm)	Bead I/D (mm)
31.5	3	12	7

Hollow Silicone P/Bead Profiles

RCSP32X2SR			
Width (mm)	Thickness (mm)	Bead O/D (mm)	Bead I/D (mm)
32	2	6	3

RCSP32X2V			
Width (mm)	Thickness (mm)	Bead O/D (mm)	Bead I/D (mm)
32	2	12	8

RCSP32X2/2SR			
Width (mm)	Thickness (mm)	Bead O/D (mm)	Bead I/D (mm)
32	2	14	11.4

RCSP32X2.5SR			
Width (mm)	Thickness (mm)	Bead O/D (mm)	Bead I/D (mm)
32	2.5	8 x 10	5

RCSP32X2.5V			
Width (mm)	Thickness (mm)	Bead O/D (mm)	Bead I/D (mm)
32	2.5	13.5	8.5

RCSP32X2.5/2SR			
Width (mm)	Thickness (mm)	Bead O/D (mm)	Bead I/D (mm)
32	2.5	16	11

RCSP32X2.5/3SR			
Width (mm)	Thickness (mm)	Bead O/D (mm)	Bead I/D (mm)
32	2.5	10	15

RCSP32X2.9SR			
Width (mm)	Thickness (mm)	Bead O/D (mm)	Bead I/D (mm)
32	2.9	11	7

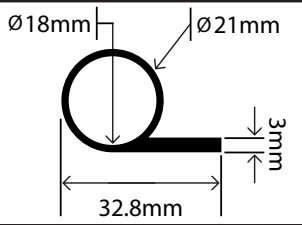
RCSP32X3V			
Width (mm)	Thickness (mm)	Bead O/D (mm)	Bead I/D (mm)
32	3	12	4

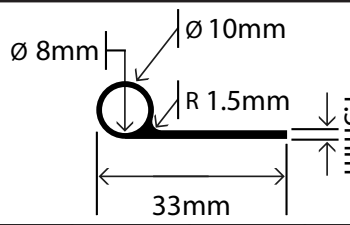
RCSP32X3/2V			
Width (mm)	Thickness (mm)	Bead O/D (mm)	Bead I/D (mm)
32	3	16	10

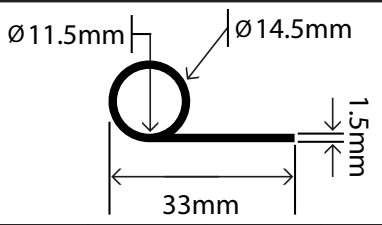
RCSP32X3.5V			
Width (mm)	Thickness (mm)	Bead O/D (mm)	Bead I/D (mm)
32	3.5	13.5	9.5

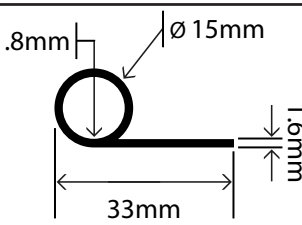
RCSP32.5X2V			
Width (mm)	Thickness (mm)	Bead O/D (mm)	Bead I/D (mm)
32.5	2	6.8	3.2

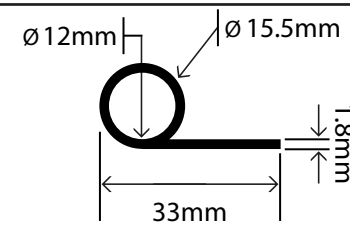
Hollow Silicone P/Bead Profiles

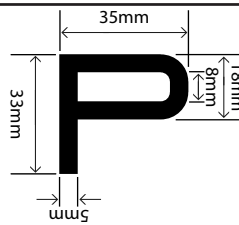
RCSP32.8X3V			
			
Width (mm)	Thickness (mm)	Bead O/D (mm)	Bead I/D (mm)
32.8	3	21	18

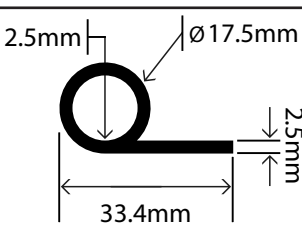
RCSP33X1.5SR			
			
Width (mm)	Thickness (mm)	Bead O/D (mm)	Bead I/D (mm)
33	1.5	10	8

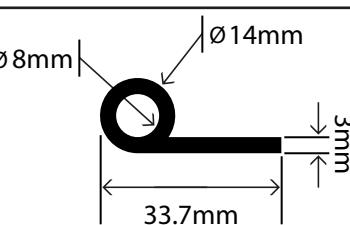
RCSP33X1.5V			
			
Width (mm)	Thickness (mm)	Bead O/D (mm)	Bead I/D (mm)
33	1.5	14.5	11.5

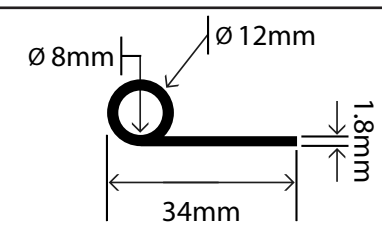
RCSP33X1.6SR			
			
Width (mm)	Thickness (mm)	Bead O/D (mm)	Bead I/D (mm)
33	1.6	15	11.8

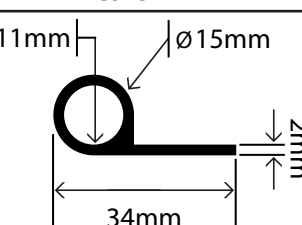
RCSP33X1.8SR			
			
Width (mm)	Thickness (mm)	Bead O/D (mm)	Bead I/D (mm)
33	1.8	15.5	12

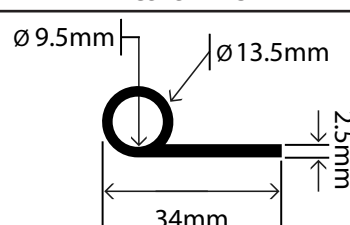
RCSP33X5SR			
			
Width (mm)	Thickness (mm)	Bead O/D (mm)	Bead I/D (mm)
33	5	18 x 35	8 x 25

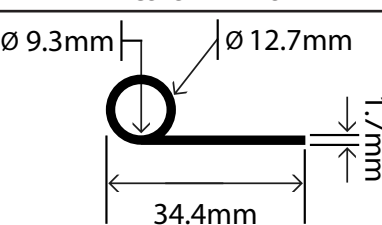
RCSP33.4X2.5V			
			
Width (mm)	Thickness (mm)	Bead O/D (mm)	Bead I/D (mm)
33.4	2.5	17.5	12.5

RCSP33.7X3V			
			
Width (mm)	Thickness (mm)	Bead O/D (mm)	Bead I/D (mm)
33.7	3	14	8

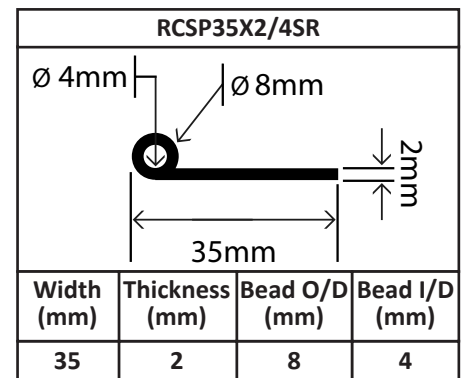
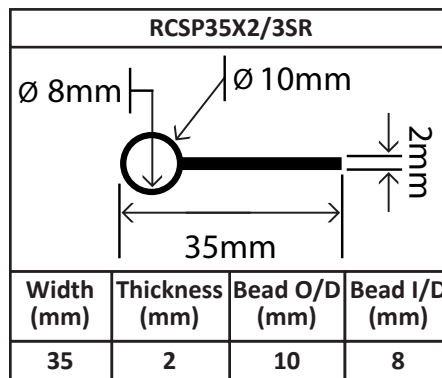
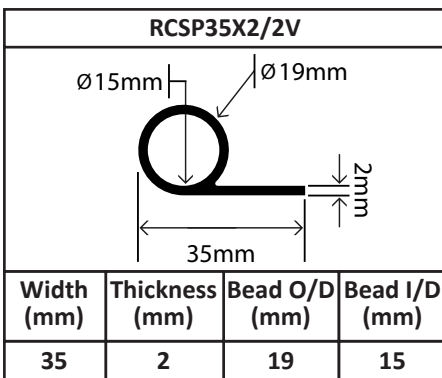
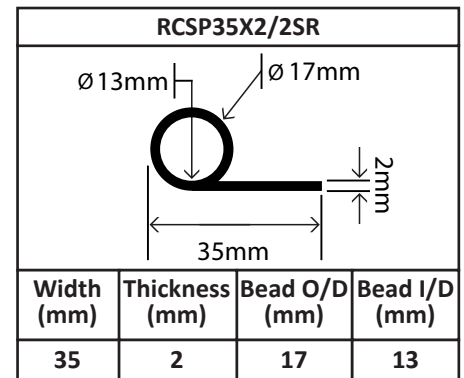
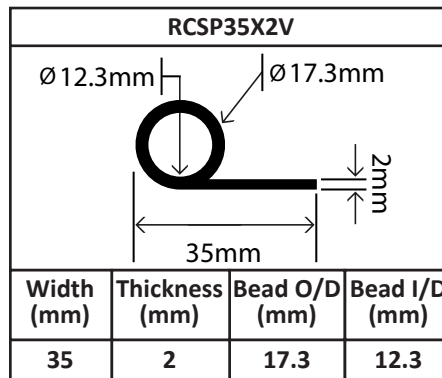
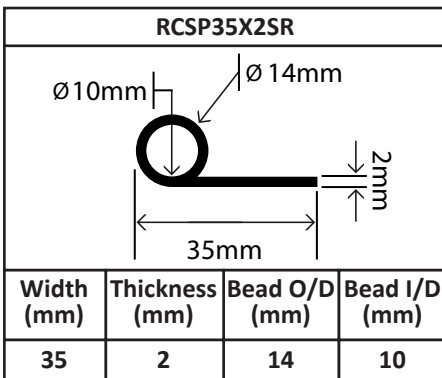
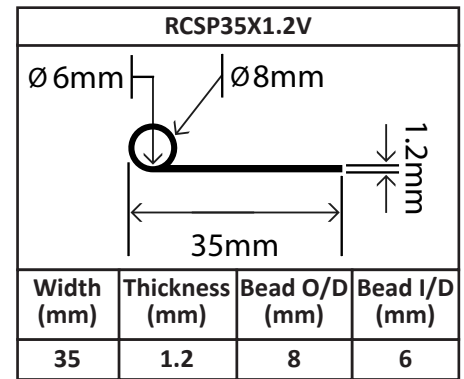
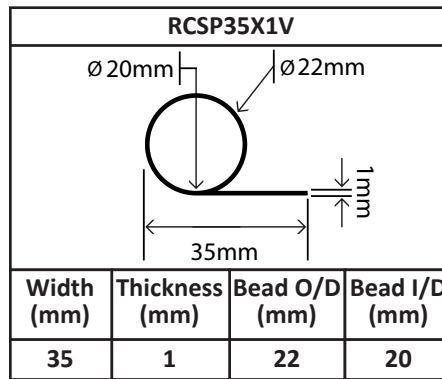
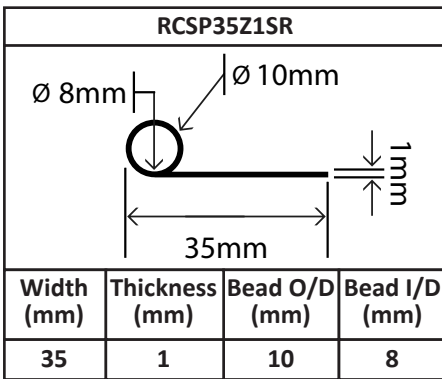
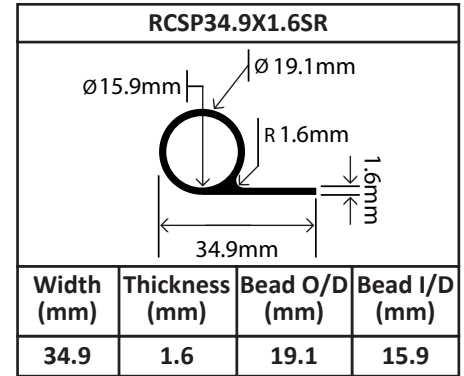
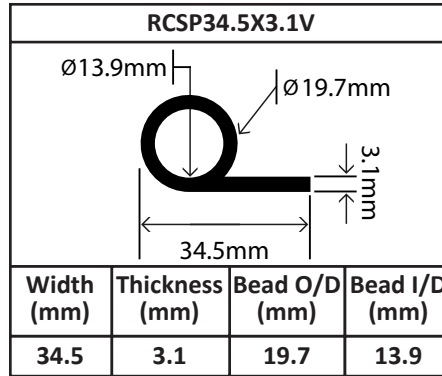
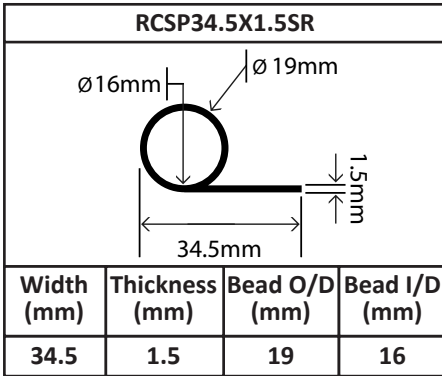
RCSP34X1.8SR			
			
Width (mm)	Thickness (mm)	Bead O/D (mm)	Bead I/D (mm)
34	1.8	12	8

RCSP34X2V			
			
Width (mm)	Thickness (mm)	Bead O/D (mm)	Bead I/D (mm)
34	2	15	11

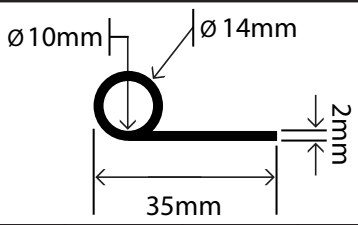
RCSP34X2.5V			
			
Width (mm)	Thickness (mm)	Bead O/D (mm)	Bead I/D (mm)
34	2.5	13.5	9.5

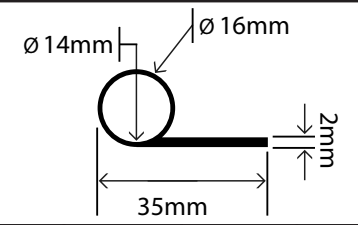
RCSP34.4X1.7SR			
			
Width (mm)	Thickness (mm)	Bead O/D (mm)	Bead I/D (mm)
34.4	1.7	12.7	9.3

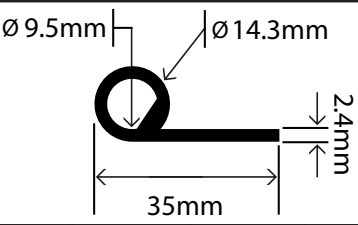
Hollow Silicone P/Bead Profiles

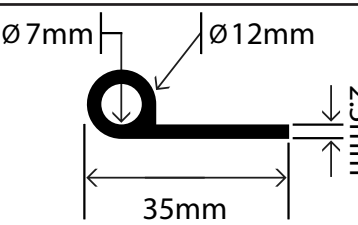


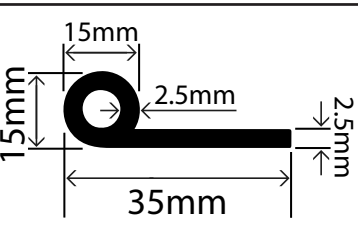
Hollow Silicone P/Bead Profiles

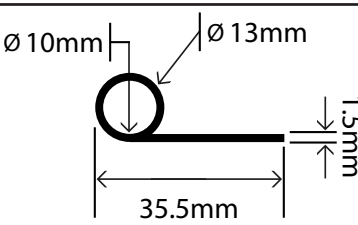
RCSP35X2/5SR			
			
Width (mm)	Thickness (mm)	Bead O/D (mm)	Bead I/D (mm)
35	2	14	10

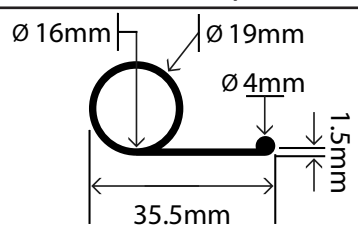
RCSP35X2/6SR			
			
Width (mm)	Thickness (mm)	Bead O/D (mm)	Bead I/D (mm)
35	2	16	14

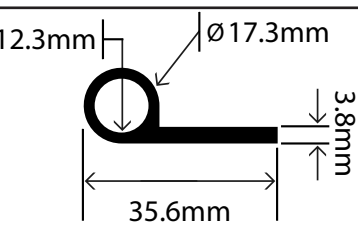
RCSP35X2.4V			
			
Width (mm)	Thickness (mm)	Bead O/D (mm)	Bead I/D (mm)
35	2.4	14.3	9.5

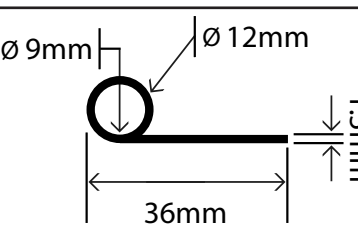
RCSP35X2.5V			
			
Width (mm)	Thickness (mm)	Bead O/D (mm)	Bead I/D (mm)
35	2.5	12	7

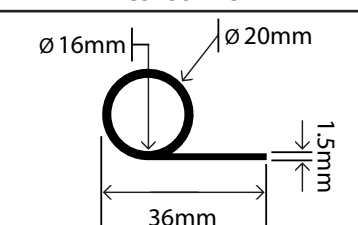
RC03025			
			
Width (mm)	Thickness (mm)	Bead O/D (mm)	Bead I/D (mm)
35	2.5	15	10

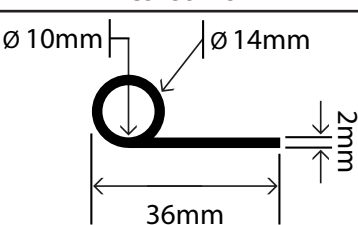
RCSP35.5X1.5SR			
			
Width (mm)	Thickness (mm)	Bead O/D (mm)	Bead I/D (mm)
35.5	1.5	13	10

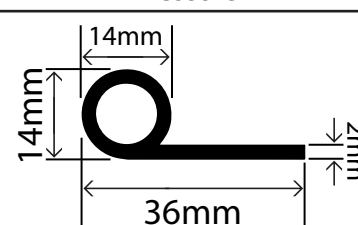
RCSP35.5X1.5/2SR			
			
Width (mm)	Thickness (mm)	Bead O/D (mm)	Bead I/D (mm)
35.5	1.5	19	16

RCSP35.6X3.8V			
			
Width (mm)	Thickness (mm)	Bead O/D (mm)	Bead I/D (mm)
35.6	3.8	17.3	12.3

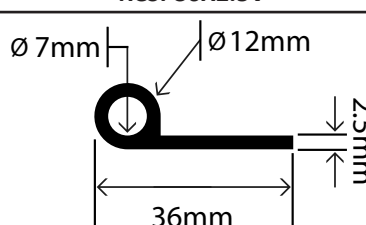
RCSP36X1.5SR			
			
Width (mm)	Thickness (mm)	Bead O/D (mm)	Bead I/D (mm)
36	1.5	12	9

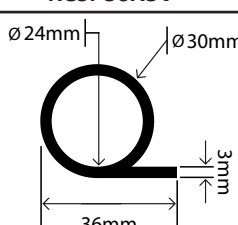
RCSP36X1.5V			
			
Width (mm)	Thickness (mm)	Bead O/D (mm)	Bead I/D (mm)
36	1.5	20	16

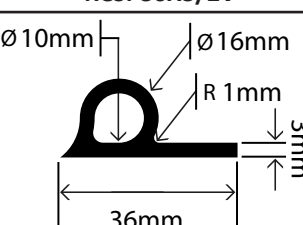
RCSP36X2SR			
			
Width (mm)	Thickness (mm)	Bead O/D (mm)	Bead I/D (mm)
36	2	14	10

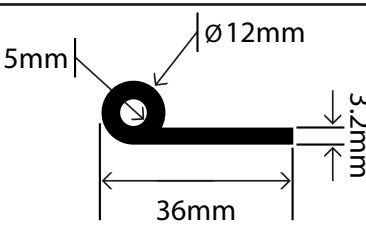
RC03013			
			
Width (mm)	Thickness (mm)	Bead O/D (mm)	Bead I/D (mm)
36	2	14	10

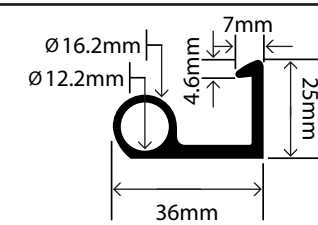
Hollow Silicone P/Bead Profiles

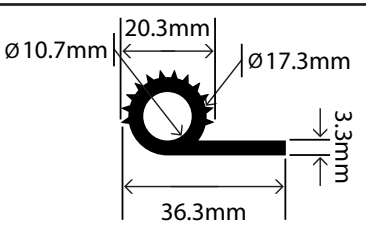
RCSP36X2.5V			
			
Width (mm)	Thickness (mm)	Bead O/D (mm)	Bead I/D (mm)
36	2.5	12	7

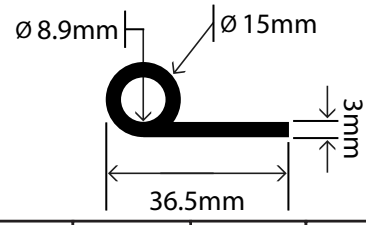
RCSP36X3V			
			
Width (mm)	Thickness (mm)	Bead O/D (mm)	Bead I/D (mm)
36	3	30	24

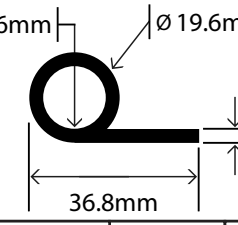
RCSP36X3/2V			
			
Width (mm)	Thickness (mm)	Bead O/D (mm)	Bead I/D (mm)
36	3	16	10

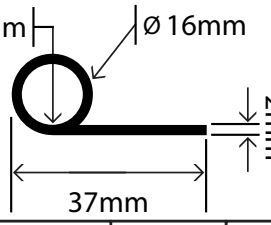
RCSP36X3.2V			
			
Width (mm)	Thickness (mm)	Bead O/D (mm)	Bead I/D (mm)
36	3.2	12	5

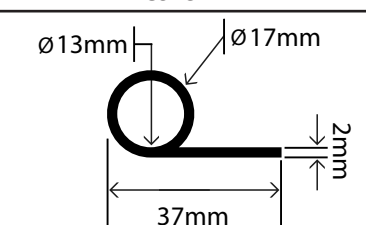
RCSP36X25SR			
			
Width (mm)	Thickness (mm)	Bead O/D (mm)	Bead I/D (mm)
36	25	16.2	12.2

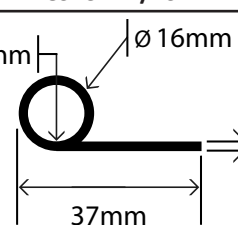
RCSP36.3X3.3V			
			
Width (mm)	Thickness (mm)	Bead O/D (mm)	Bead I/D (mm)
36.3	3.3	17.3	10.7

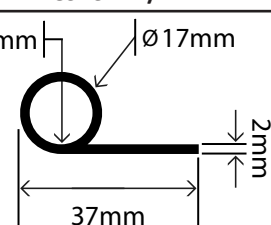
RCSP36.5X3SR			
			
Width (mm)	Thickness (mm)	Bead O/D (mm)	Bead I/D (mm)
36.5	3	15	8.9

RCSP36.8X3SR			
			
Width (mm)	Thickness (mm)	Bead O/D (mm)	Bead I/D (mm)
36.8	3	19.6	13.6

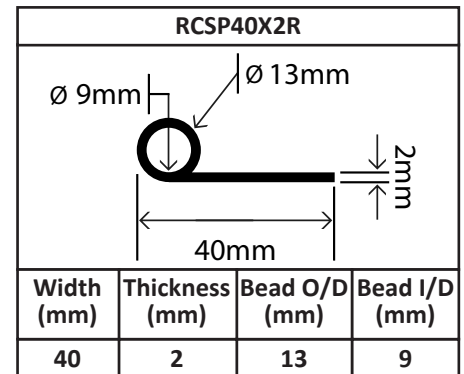
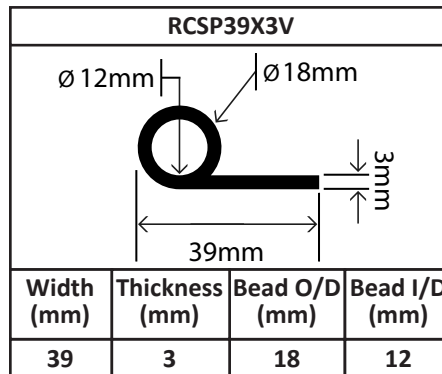
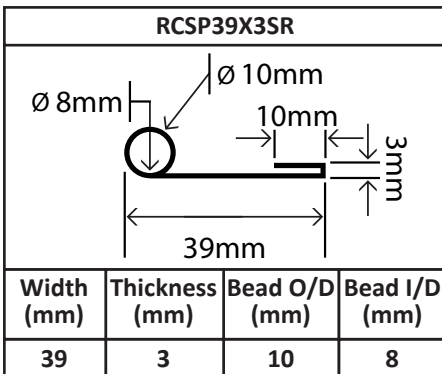
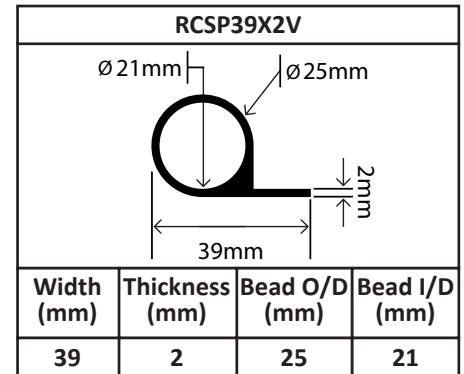
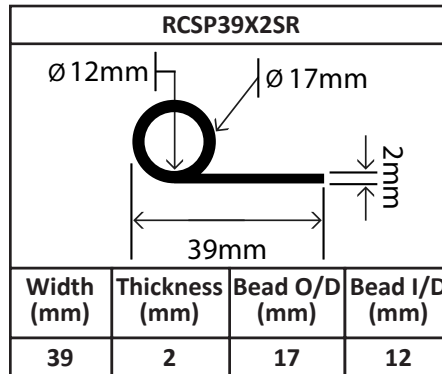
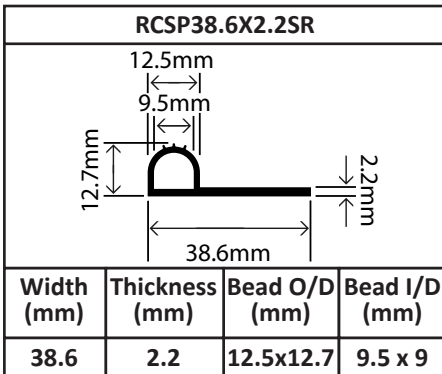
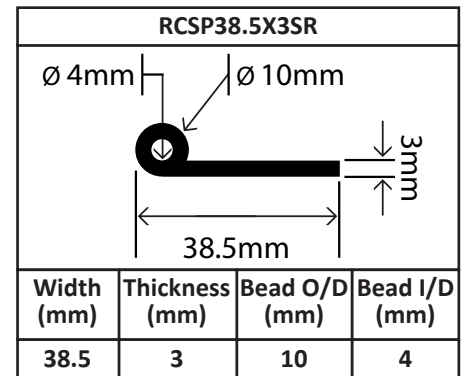
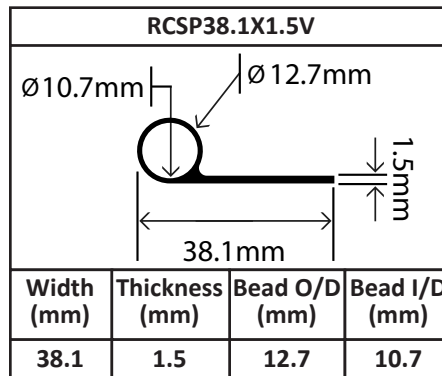
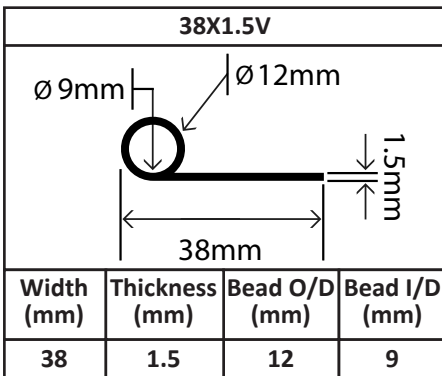
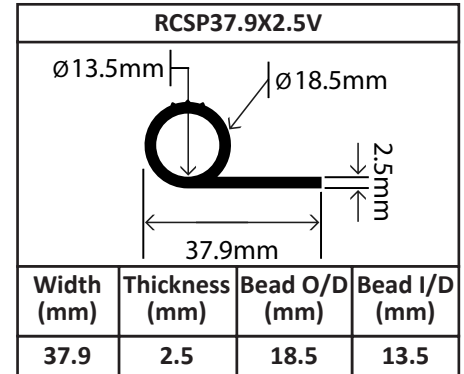
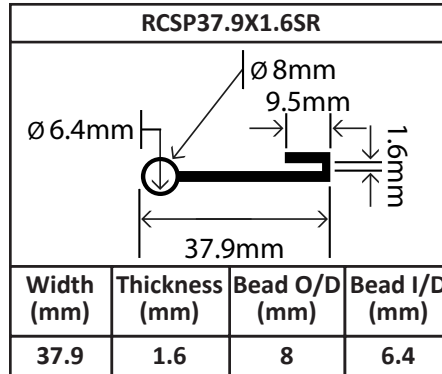
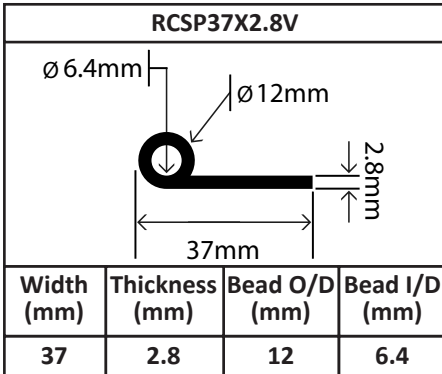
RCSP37X2SR			
			
Width (mm)	Thickness (mm)	Bead O/D (mm)	Bead I/D (mm)
37	2	16	12

RCSP37X2V			
			
Width (mm)	Thickness (mm)	Bead O/D (mm)	Bead I/D (mm)
37	2	17	13

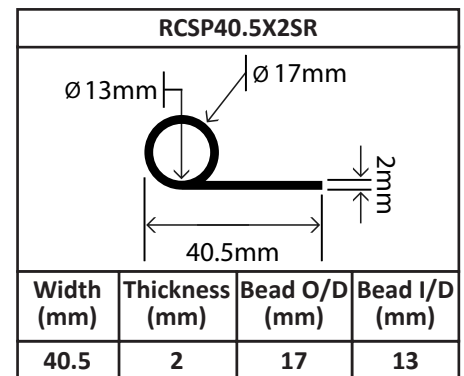
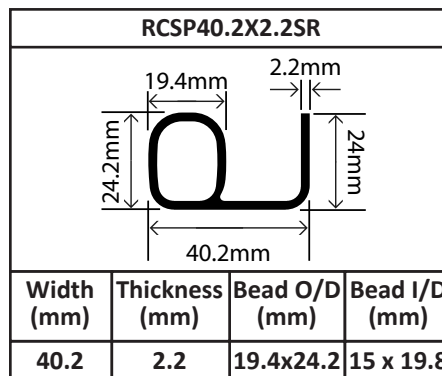
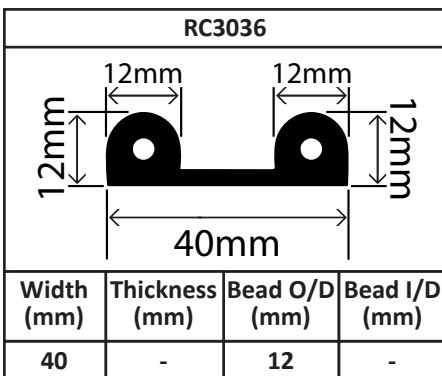
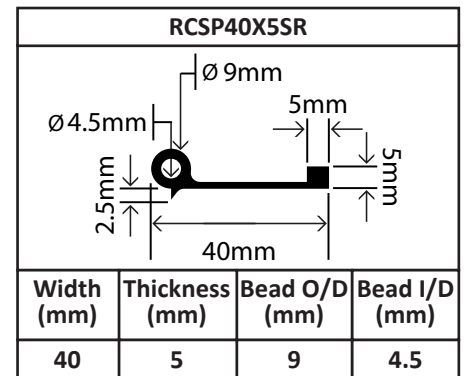
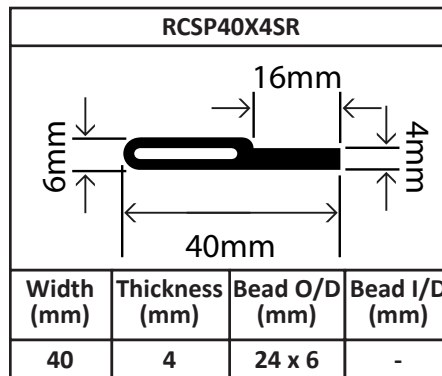
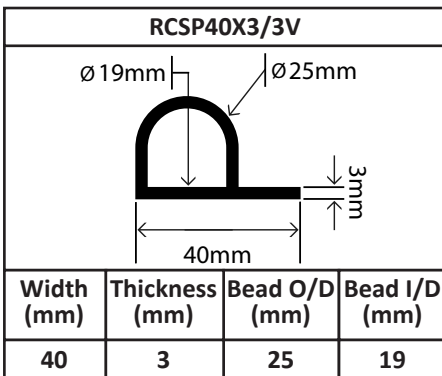
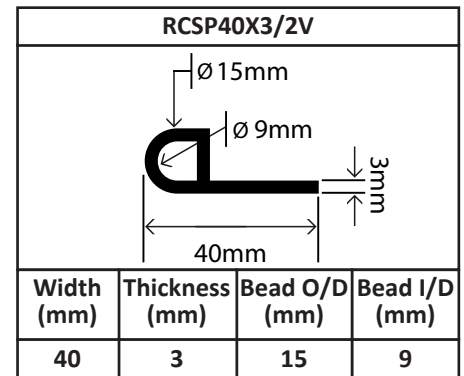
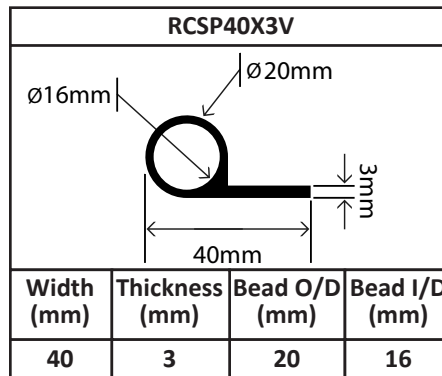
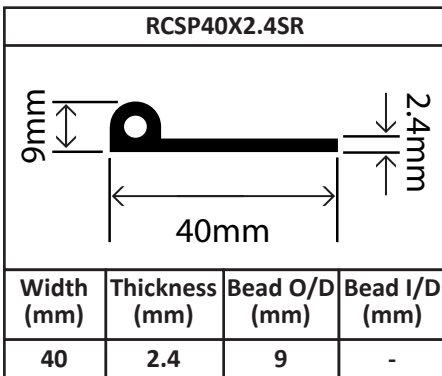
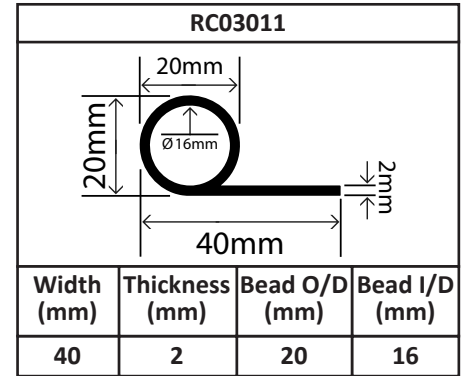
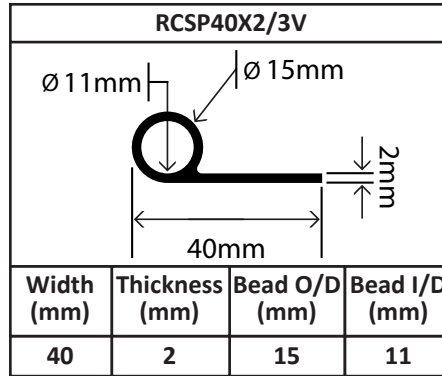
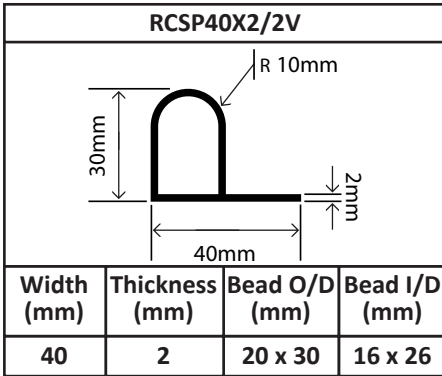
RCSP37X2/2SR			
			
Width (mm)	Thickness (mm)	Bead O/D (mm)	Bead I/D (mm)
37	2	16	12

RCSP37X2/2V			
			
Width (mm)	Thickness (mm)	Bead O/D (mm)	Bead I/D (mm)
37	2	17	13

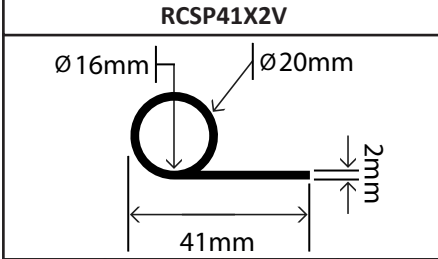
Hollow Silicone P/Bead Profiles

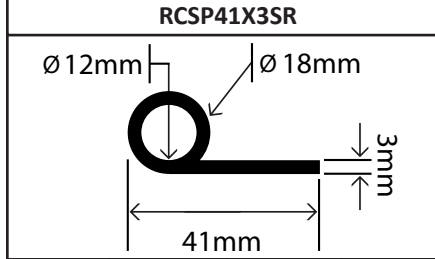


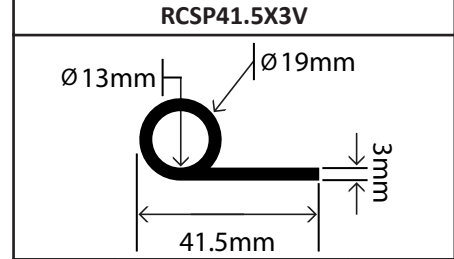
Hollow Silicone P/Bead Profiles

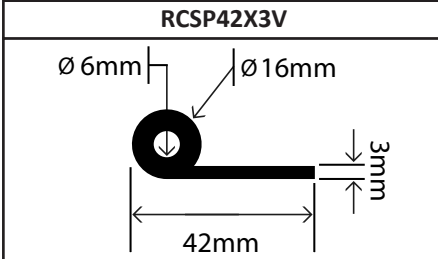


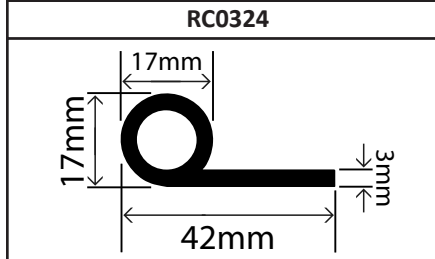
Hollow Silicone P/Bead Profiles

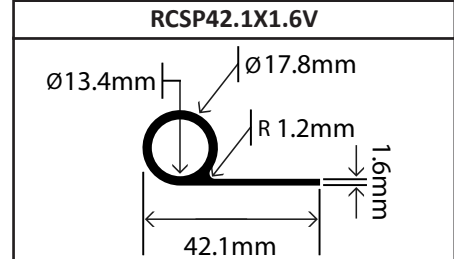
RCSP41X2V			
			
Width (mm)	Thickness (mm)	Bead O/D (mm)	Bead I/D (mm)
41	2	20	16

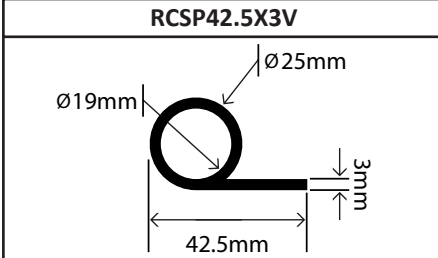
RCSP41X3SR			
			
Width (mm)	Thickness (mm)	Bead O/D (mm)	Bead I/D (mm)
41	3	18	12

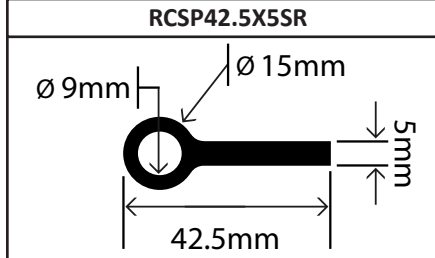
RCSP41.5X3V			
			
Width (mm)	Thickness (mm)	Bead O/D (mm)	Bead I/D (mm)
41.5	3	19	13

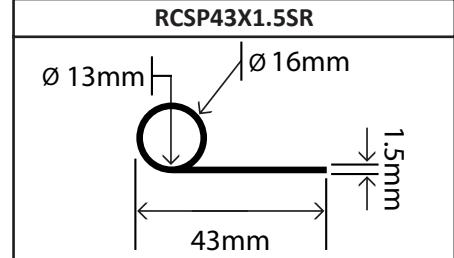
RCSP42X3V			
			
Width (mm)	Thickness (mm)	Bead O/D (mm)	Bead I/D (mm)
42	3	16	6

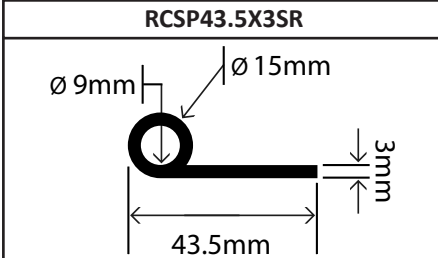
RC0324			
			
Width (mm)	Thickness (mm)	Bead O/D (mm)	Bead I/D (mm)
42	3	17	11

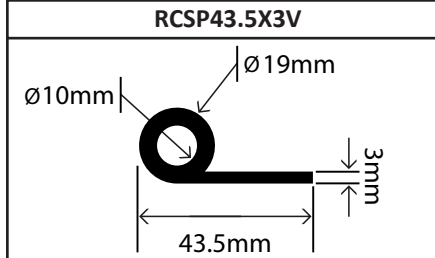
RCSP42.1X1.6V			
			
Width (mm)	Thickness (mm)	Bead O/D (mm)	Bead I/D (mm)
42.1	1.6	17.8	13.4

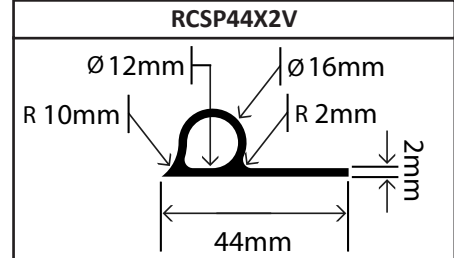
RCSP42.5X3V			
			
Width (mm)	Thickness (mm)	Bead O/D (mm)	Bead I/D (mm)
42.5	3	25	19

RCSP42.5X5SR			
			
Width (mm)	Thickness (mm)	Bead O/D (mm)	Bead I/D (mm)
42.5	5	15	9

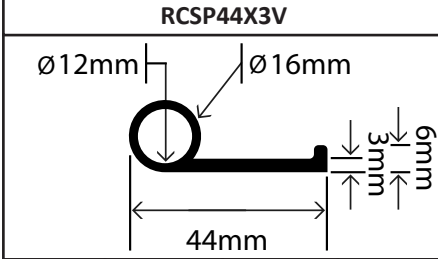
RCSP43X1.5SR			
			
Width (mm)	Thickness (mm)	Bead O/D (mm)	Bead I/D (mm)
43	1.5	16	13

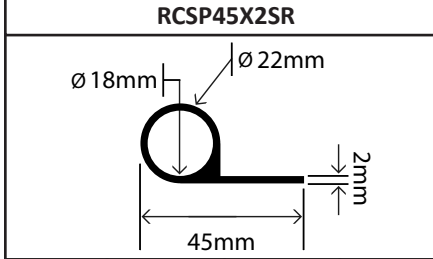
RCSP43.5X3SR			
			
Width (mm)	Thickness (mm)	Bead O/D (mm)	Bead I/D (mm)
43.5	3	15	9

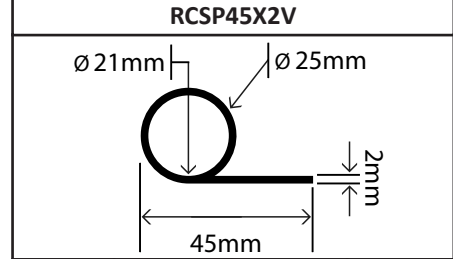
RCSP43.5X3V			
			
Width (mm)	Thickness (mm)	Bead O/D (mm)	Bead I/D (mm)
43.5	3	19	10

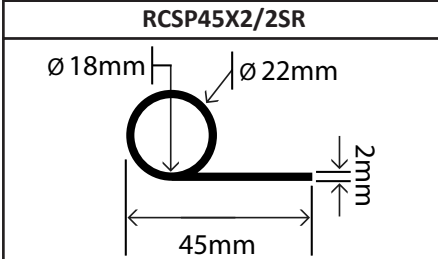
RCSP44X2V			
			
Width (mm)	Thickness (mm)	Bead O/D (mm)	Bead I/D (mm)
44	2	16	12

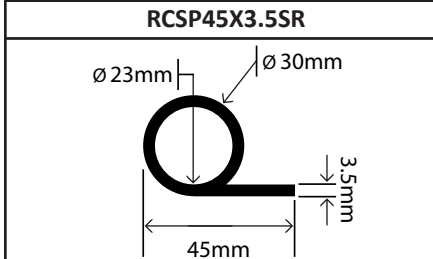
Hollow Silicone P/Bead Profiles

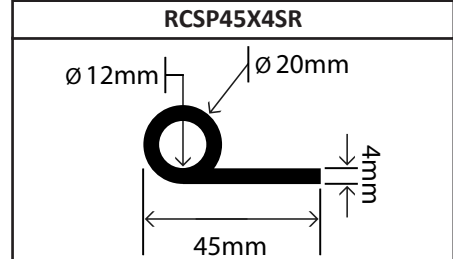
RCSP44X3V			
			
Width (mm)	Thickness (mm)	Bead O/D (mm)	Bead I/D (mm)
44	3	16	12

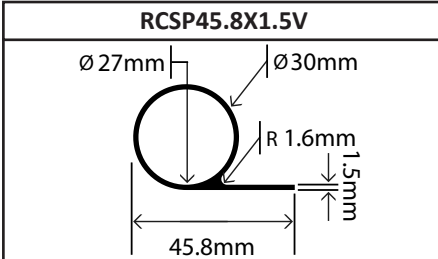
RCSP45X2SR			
			
Width (mm)	Thickness (mm)	Bead O/D (mm)	Bead I/D (mm)
45	2	22	18

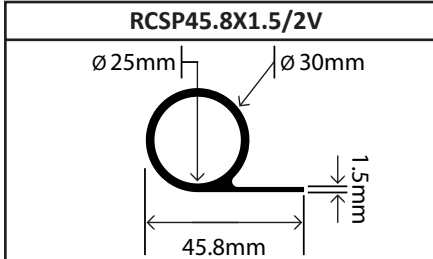
RCSP45X2V			
			
Width (mm)	Thickness (mm)	Bead O/D (mm)	Bead I/D (mm)
45	3	25	21

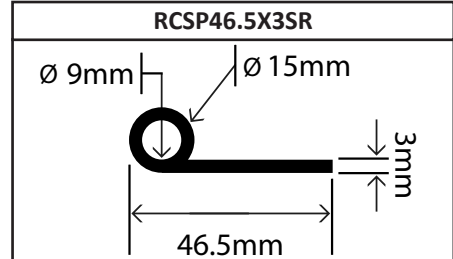
RCSP45X2/2SR			
			
Width (mm)	Thickness (mm)	Bead O/D (mm)	Bead I/D (mm)
45	2	22	18

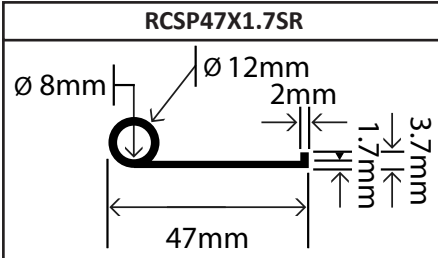
RCSP45X3.5SR			
			
Width (mm)	Thickness (mm)	Bead O/D (mm)	Bead I/D (mm)
45	3.5	30	23

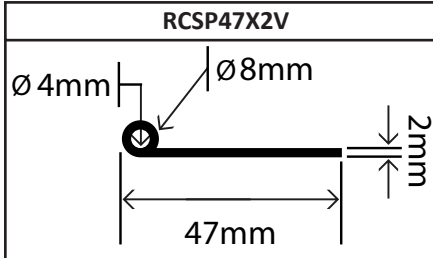
RCSP45X4SR			
			
Width (mm)	Thickness (mm)	Bead O/D (mm)	Bead I/D (mm)
45	4	20	12

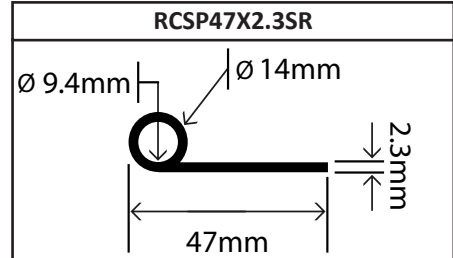
RCSP45.8X1.5V			
			
Width (mm)	Thickness (mm)	Bead O/D (mm)	Bead I/D (mm)
45.8	1.5	30	27

RCSP45.8X1.5/2V			
			
Width (mm)	Thickness (mm)	Bead O/D (mm)	Bead I/D (mm)
45.8	1.5	30	25

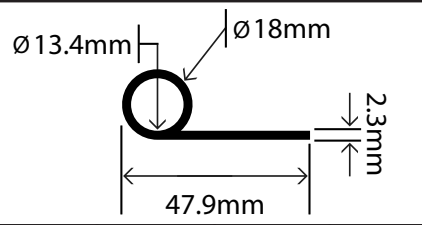
RCSP46.5X3SR			
			
Width (mm)	Thickness (mm)	Bead O/D (mm)	Bead I/D (mm)
46.5	3	15	9

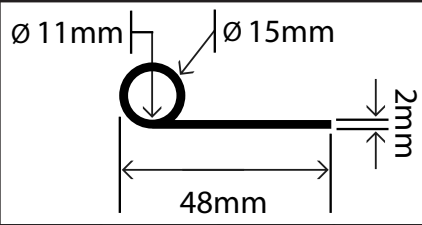
RCSP47X1.7SR			
			
Width (mm)	Thickness (mm)	Bead O/D (mm)	Bead I/D (mm)
47	1.7	12	8

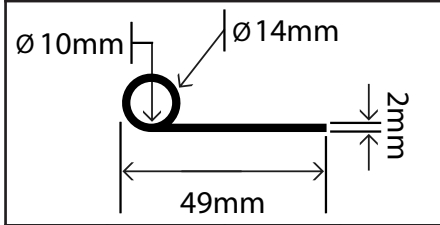
RCSP47X2V			
			
Width (mm)	Thickness (mm)	Bead O/D (mm)	Bead I/D (mm)
47	2	8	4

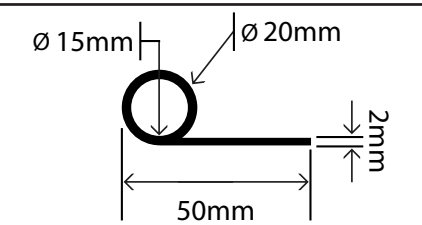
RCSP47X2.3SR			
			
Width (mm)	Thickness (mm)	Bead O/D (mm)	Bead I/D (mm)
47	2.3	14	9.4

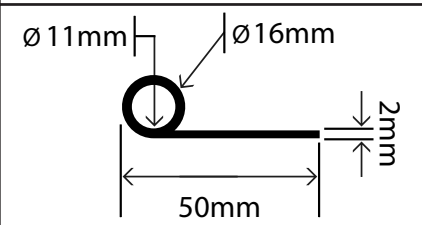
Hollow Silicone P/Bead Profiles

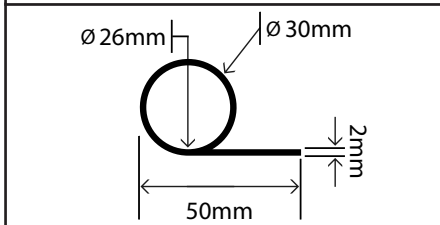
RCSP47.9X2.3V			
			
Width (mm)	Thickness (mm)	Bead O/D (mm)	Bead I/D (mm)
47.9	2.3	18	13.4

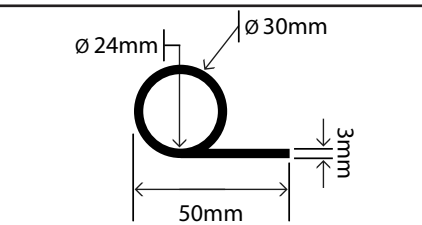
RCSP48X2SR			
			
Width (mm)	Thickness (mm)	Bead O/D (mm)	Bead I/D (mm)
48	2	15	11

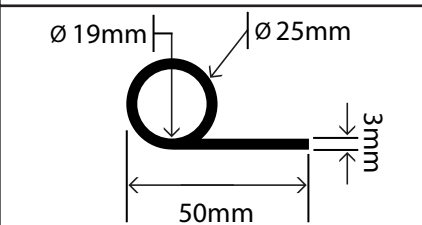
RCSP49X2V			
			
Width (mm)	Thickness (mm)	Bead O/D (mm)	Bead I/D (mm)
49	2	14	10

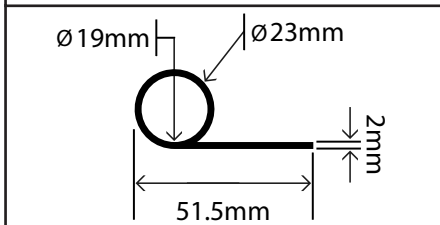
RCSP50X2SR			
			
Width (mm)	Thickness (mm)	Bead O/D (mm)	Bead I/D (mm)
50	2	20	15

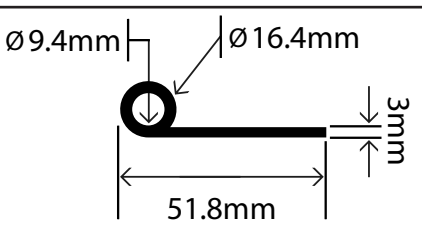
RCSP50X2V			
			
Width (mm)	Thickness (mm)	Bead O/D (mm)	Bead I/D (mm)
50	2	16	11

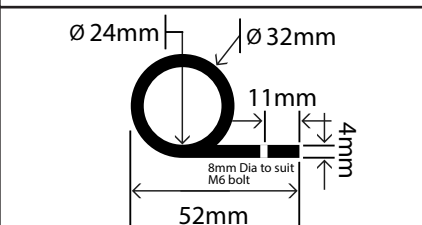
RCSP50X2/2V			
			
Width (mm)	Thickness (mm)	Bead O/D (mm)	Bead I/D (mm)
50	2	30	26

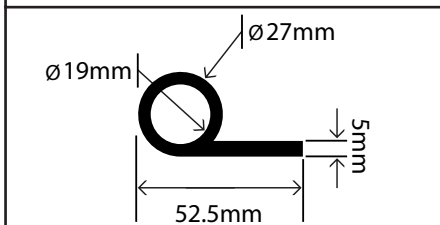
RCSP50X3SR			
			
Width (mm)	Thickness (mm)	Bead O/D (mm)	Bead I/D (mm)
50	3	30	24

RCSP50X3/2SR			
			
Width (mm)	Thickness (mm)	Bead O/D (mm)	Bead I/D (mm)
50	3	25	19

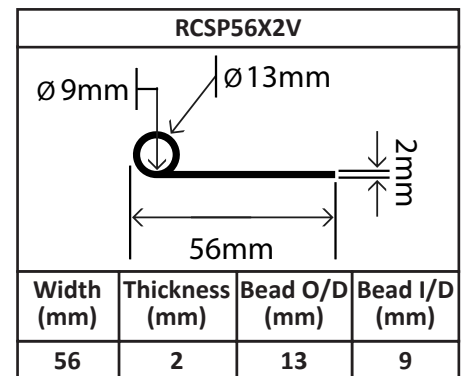
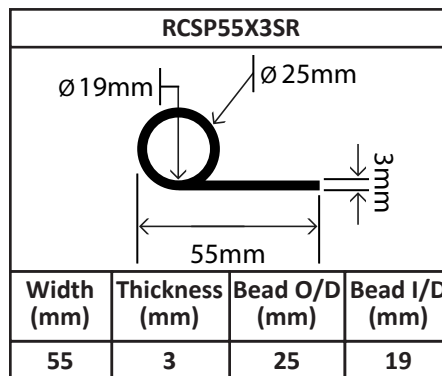
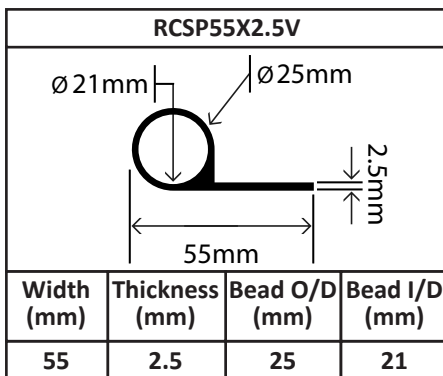
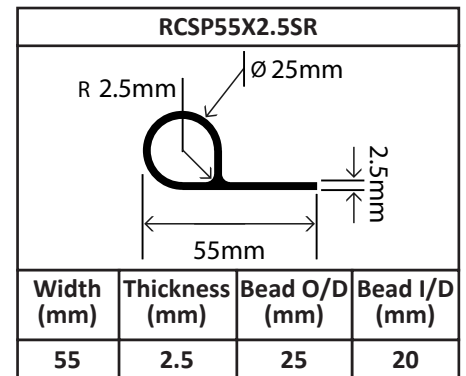
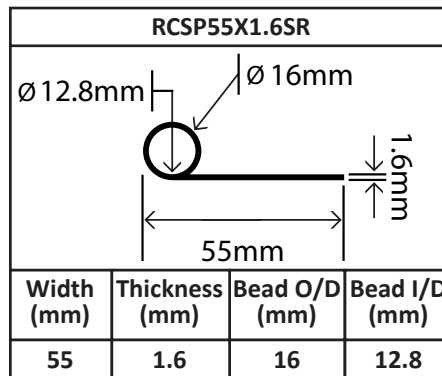
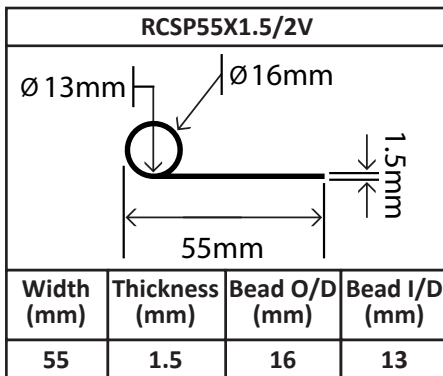
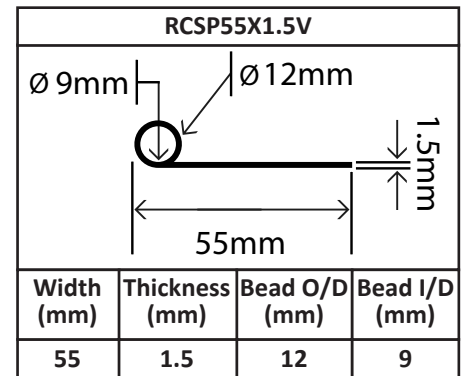
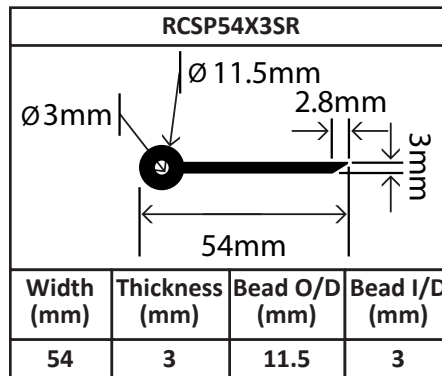
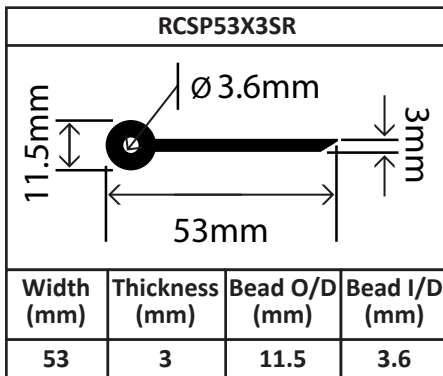
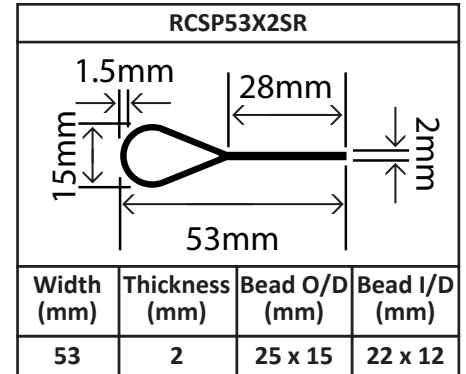
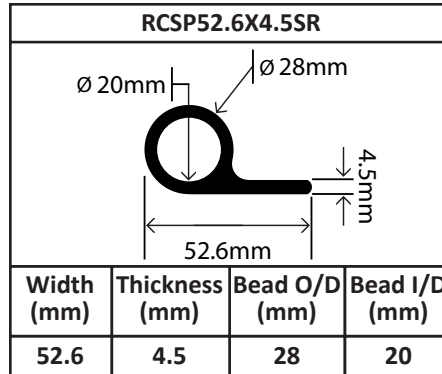
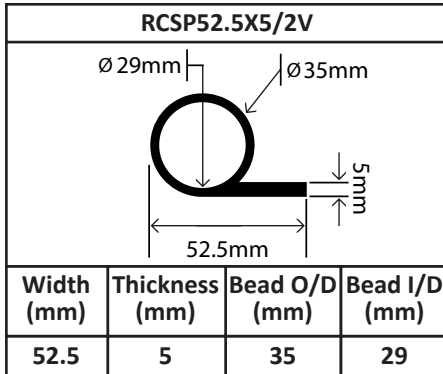
RCSP51.5X2V			
			
Width (mm)	Thickness (mm)	Bead O/D (mm)	Bead I/D (mm)
51.5	2	23	19

RCSP51.8X3V			
			
Width (mm)	Thickness (mm)	Bead O/D (mm)	Bead I/D (mm)
51.8	3	16.4	9.4

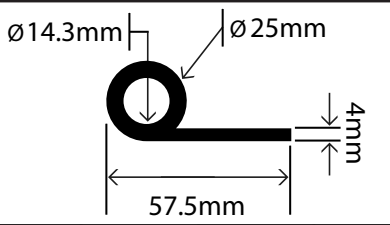
RCSP52X4SR			
			
Width (mm)	Thickness (mm)	Bead O/D (mm)	Bead I/D (mm)
52	4	32	24

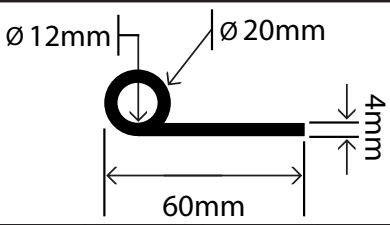
RCSP52.5X5V			
			
Width (mm)	Thickness (mm)	Bead O/D (mm)	Bead I/D (mm)
52.5	5	27	19

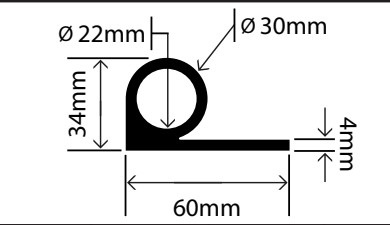
Hollow Silicone P/Bead Profiles

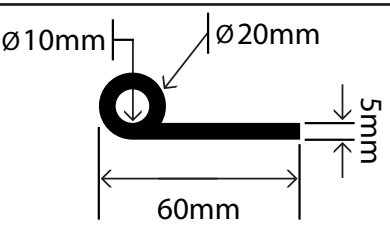


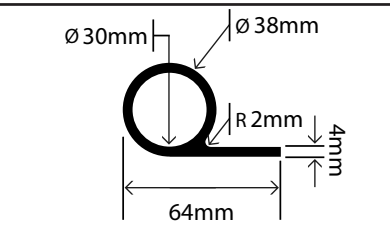
Hollow Silicone P/Bead Profiles

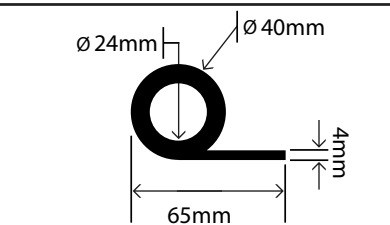
RCSP57.5X4V			
			
Width (mm)	Thickness (mm)	Bead O/D (mm)	Bead I/D (mm)
57.5	4	25	14.3

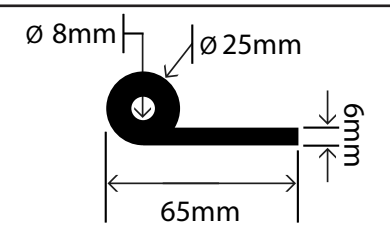
RCSP60X4SR			
			
Width (mm)	Thickness (mm)	Bead O/D (mm)	Bead I/D (mm)
60	4	20	12

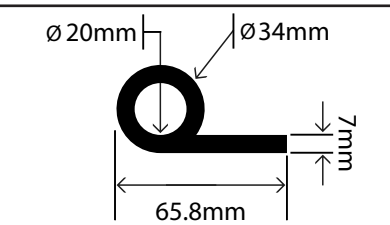
RCSP60X4/2SR			
			
Width (mm)	Thickness (mm)	Bead O/D (mm)	Bead I/D (mm)
60	4	30	22

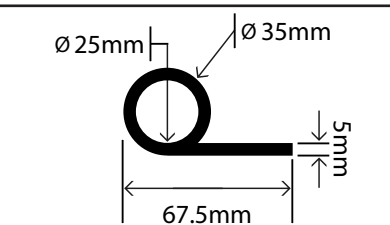
RCSP60X5V			
			
Width (mm)	Thickness (mm)	Bead O/D (mm)	Bead I/D (mm)
60	5	20	10

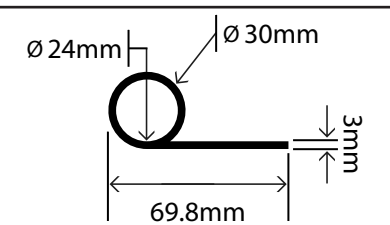
RCSP64X4SR			
			
Width (mm)	Thickness (mm)	Bead O/D (mm)	Bead I/D (mm)
64	4	38	30

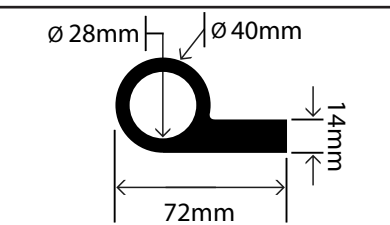
RCSP65X4SR			
			
Width (mm)	Thickness (mm)	Bead O/D (mm)	Bead I/D (mm)
65	4	40	24

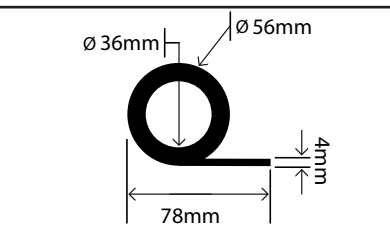
RCSP65X6SR			
			
Width (mm)	Thickness (mm)	Bead O/D (mm)	Bead I/D (mm)
65	6	25	8

RCSP65.8X7V			
			
Width (mm)	Thickness (mm)	Bead O/D (mm)	Bead I/D (mm)
65.8	7	34	20

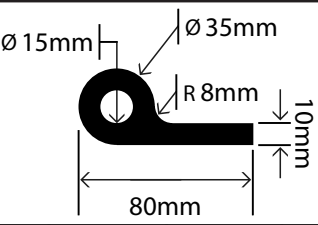
RCSP67.5X5SR			
			
Width (mm)	Thickness (mm)	Bead O/D (mm)	Bead I/D (mm)
67.5	5	35	25

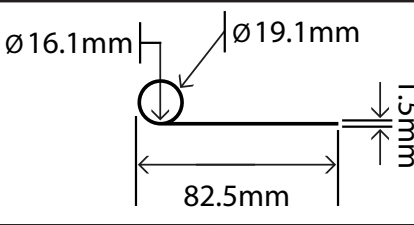
RCSP69.8X3V			
			
Width (mm)	Thickness (mm)	Bead O/D (mm)	Bead I/D (mm)
69.8	3	30	24

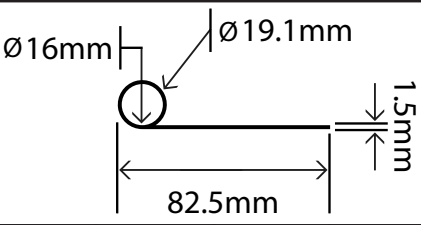
RCSP72X14SR			
			
Width (mm)	Thickness (mm)	Bead O/D (mm)	Bead I/D (mm)
72	14	40	28

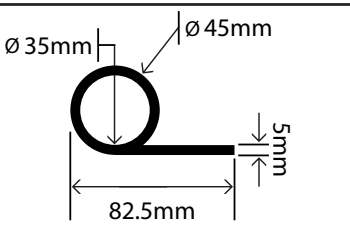
RCSP78X4SR			
			
Width (mm)	Thickness (mm)	Bead O/D (mm)	Bead I/D (mm)
78	4	56	36

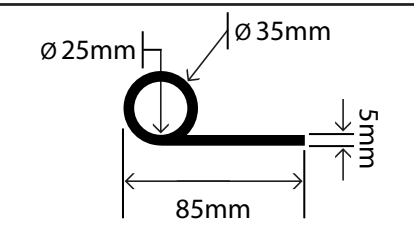
Hollow Silicone P/Bead Profiles

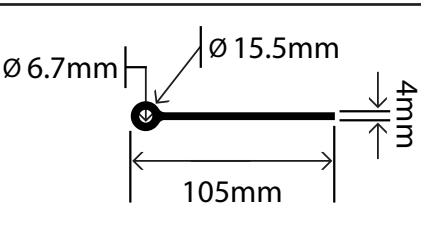
RCSP80X10SR			
			
Width (mm)	Thickness (mm)	Bead O/D (mm)	Bead I/D (mm)
80	10	35	15

RCSP82.5X1.5V			
			
Width (mm)	Thickness (mm)	Bead O/D (mm)	Bead I/D (mm)
82.5	1.5	19.1	16.1

RCSP82.5X1.5/2V			
			
Width (mm)	Thickness (mm)	Bead O/D (mm)	Bead I/D (mm)
82.5	1.5	19.1	16

RCSP82.5X5SR			
			
Width (mm)	Thickness (mm)	Bead O/D (mm)	Bead I/D (mm)
82.5	5	45	35

RCSP85X5SR			
			
Width (mm)	Thickness (mm)	Bead O/D (mm)	Bead I/D (mm)
85	5	35	25

RCSP105X4SR			
			
Width (mm)	Thickness (mm)	Bead O/D (mm)	Bead I/D (mm)
105	4	15.5	6.7