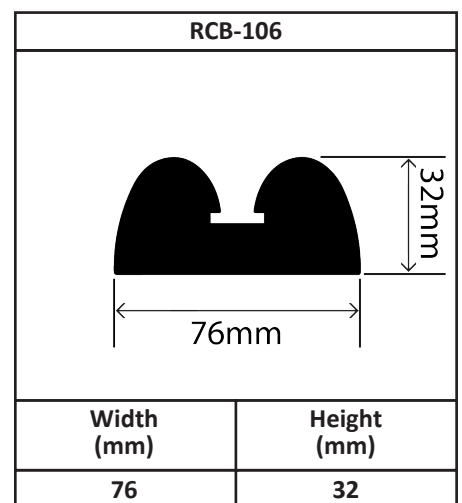
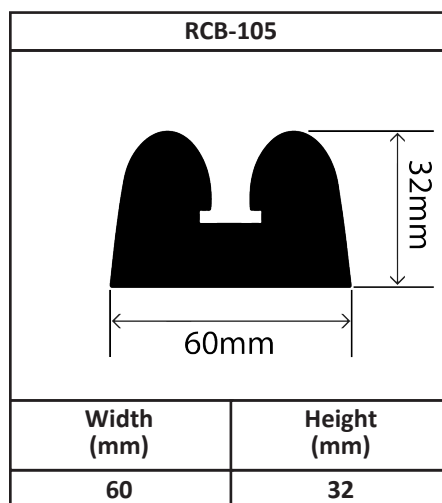
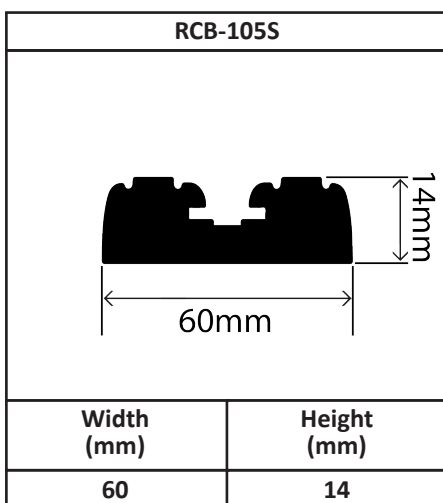
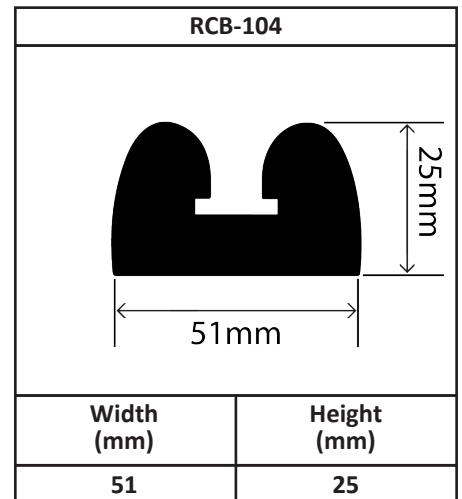
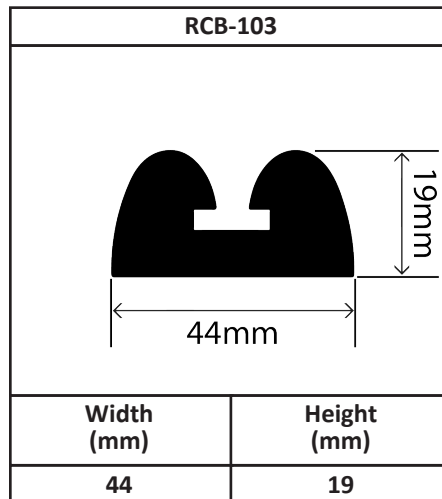
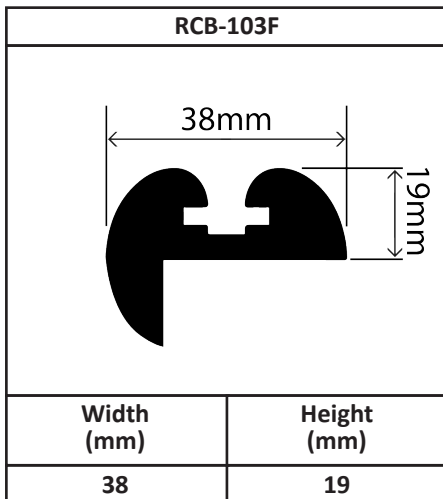
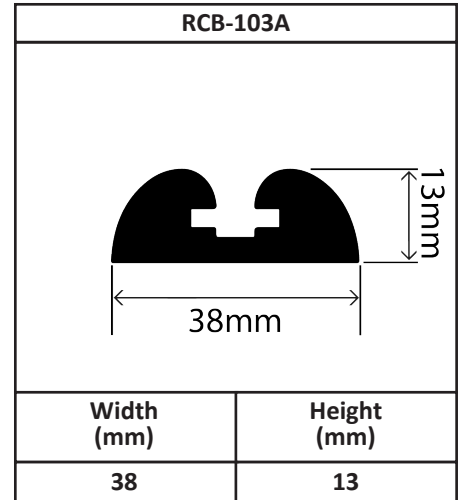
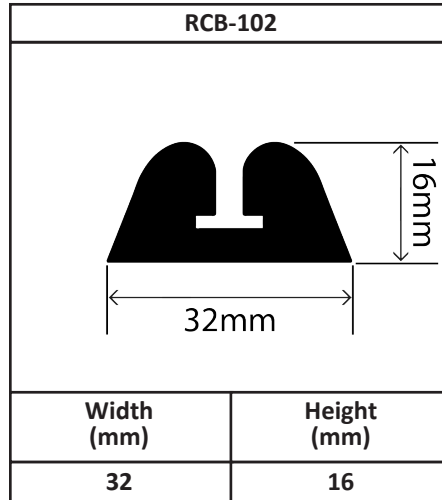
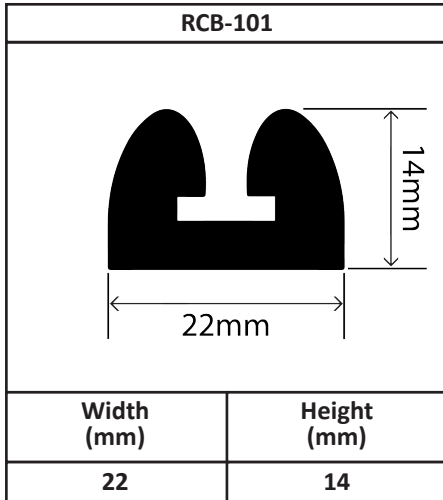


### Neoprene B / Double D Profiles



### Profile Information

Product Reference	Steel Strip Size	Steel Strip Gauge	Fender Coil Length
RCB-101	8mm	22 gauge	36.576 metres
RCB-102	9.5mm	22 gauge	30.480 metres
RCB-103A	13mm	22 gauge	24.383 metres
RCB-103F	13mm	22 gauge	36.576 metres
RCB-103	13mm	22 gauge	30.480 metres
RCB-104	16mm	22 gauge	18.288 metres
RCB-105S	19.1mm	22 gauge	12.192 metres
RCB-105	16mm	22 gauge	30.480 metres
RCB-106	16mm	22 gauge	12.192 metres

### Profile Information

To Sit Profile	Plastic Insert Width	Plastic Insert Legth	Stop End Mould-ings Available?	Corner Moulding Available?
RCB-102	N/A	N/A	Yes	N/A
RCB-103A	13mm	30.480 metres	Yes	N/A
RCB-103F	13mm	30.480 metres	N/A	N/A
RCB-103	13mm	30.480 metres	Yes	N/A
RCB-104	16mm	30.480 metres	Yes	N/A
RCB-105S	19mm	30.480 metres	N/A	N/A
RCB-105	16mm	30.480 metres	Yes	Yes
RCB-106	16mm	30.480 metres	N/A	N/A

### Stainless Steel Fitting Strip

18/8 Steel – 22 gauge 0.7mm thick. (Heavy Duty steel also available 1.5mm thick). Our B fenders are supplied with a stainless steel retaining strip, punched and fitted. Countersunk steel is supplied for all sizes except RCB-101 and RCB-102. Countersunk holes are designed to take 8 screws, alternatively bolt or rivet. Hole centres 75mm approx. RCB-101 and RCB-102 may be fitted with either screw or nail dependent upon application. Stainless steel screws are recommended to be fitted with our stainless steel retaining strip.